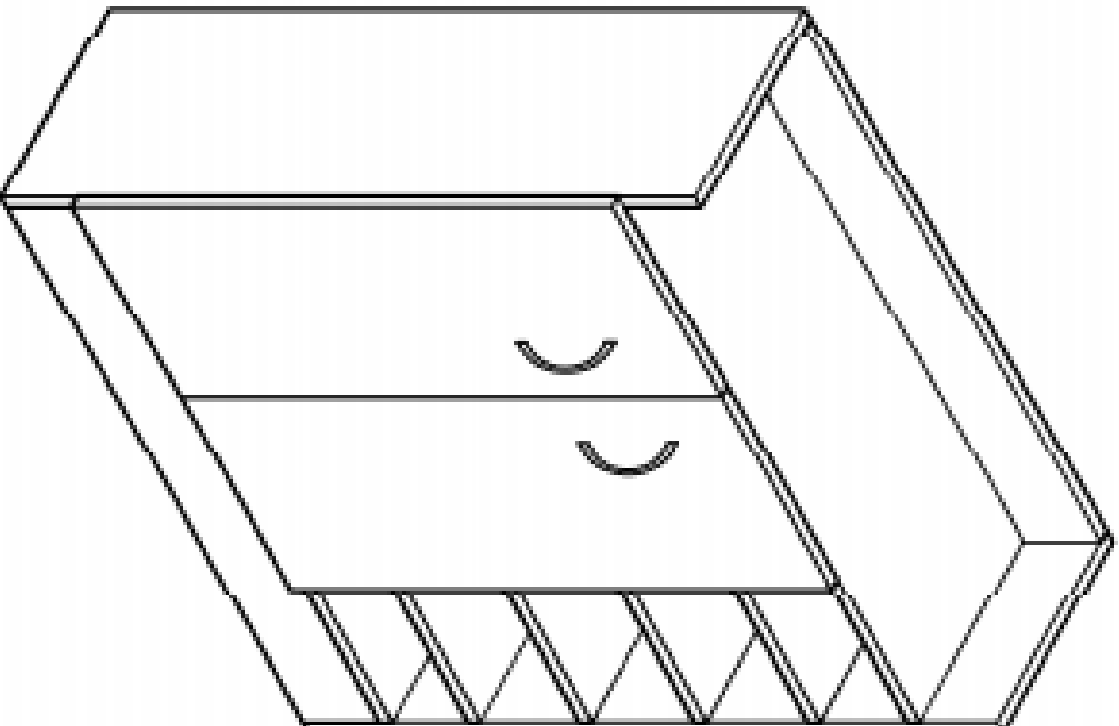
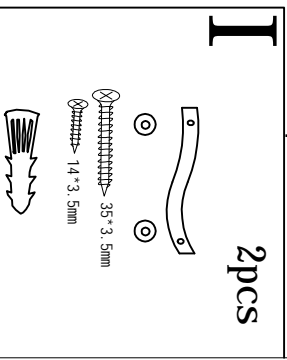
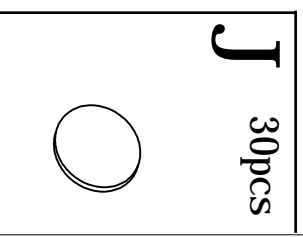
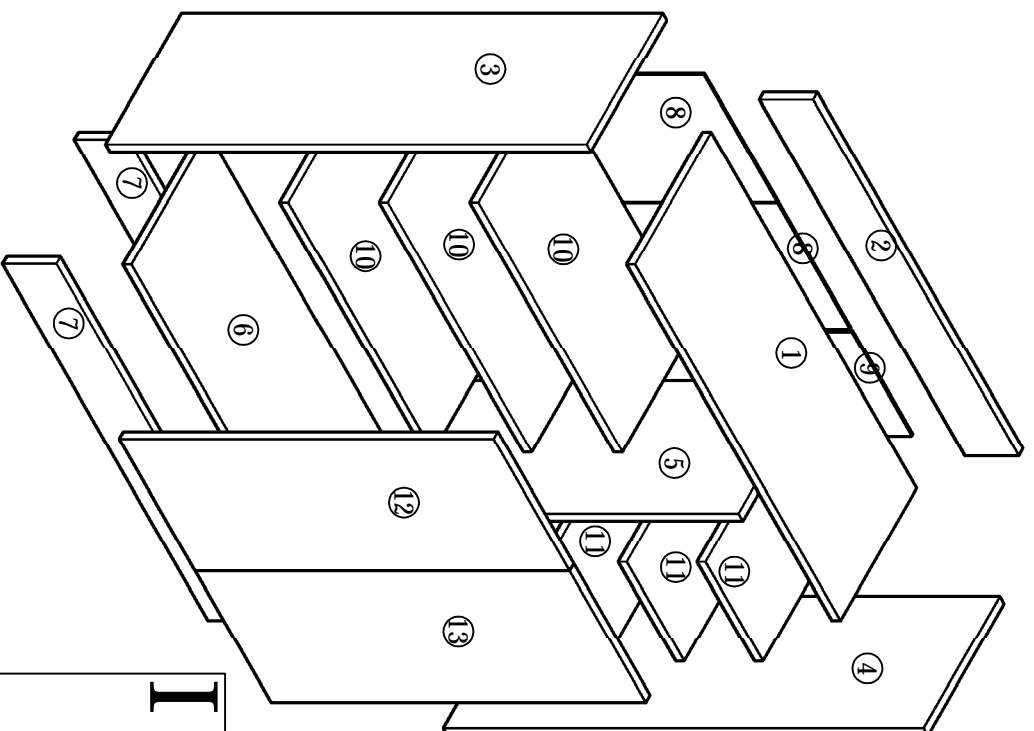
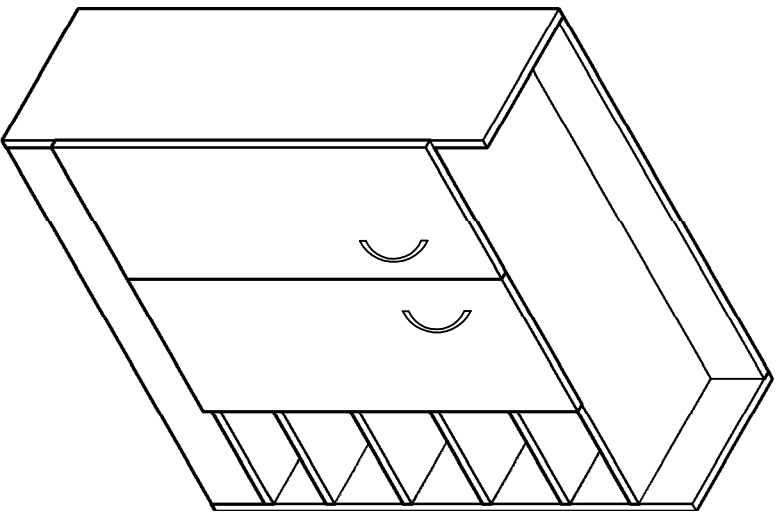


## Code : 22019 & 22020

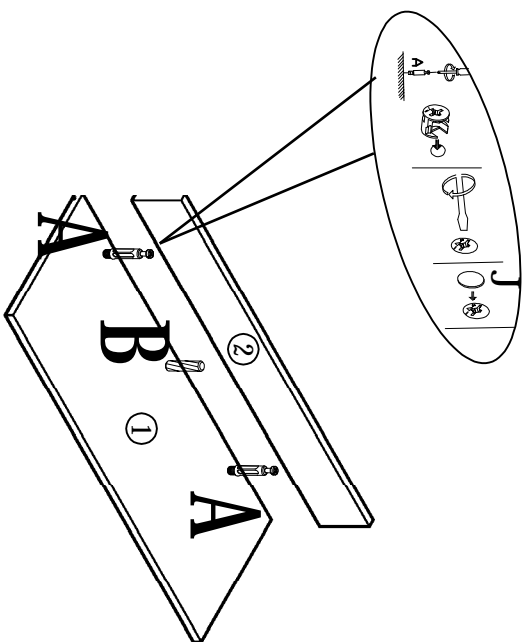


**⚠** Warning Warning - Any furniture that is not anchored to a wall has the potential to tip over in certain circumstances, ie if a child attempts to climb up on the furniture or in the event of an earthquake. Accordingly, we recommend that all furniture is anchored to a wall. We supply a free safety wall anchor with all furniture sold and we recommend these are used to prevent your product tipping. See our blog here for more info on using wall anchors.



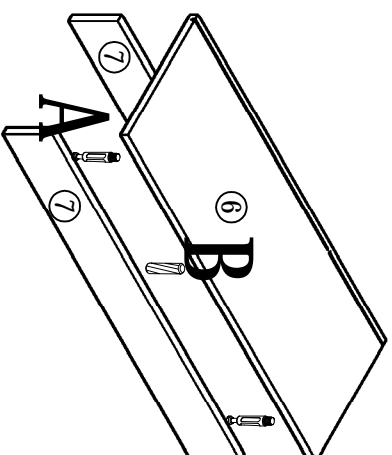
<p><b>A</b> 30pcs</p>	<p><b>B</b> 9pcs</p>	<p><b>C</b> 2pcs</p>	<p><b>D</b> 28pcs</p>	<p><b>E</b> 4pcs</p>	<p><b>F</b> 4pcs</p>	<p><b>G</b> 1pc</p>	<p><b>H</b> 16pcs</p>
---------------------------	--------------------------	--------------------------	---------------------------	--------------------------	--------------------------	-------------------------	---------------------------

1



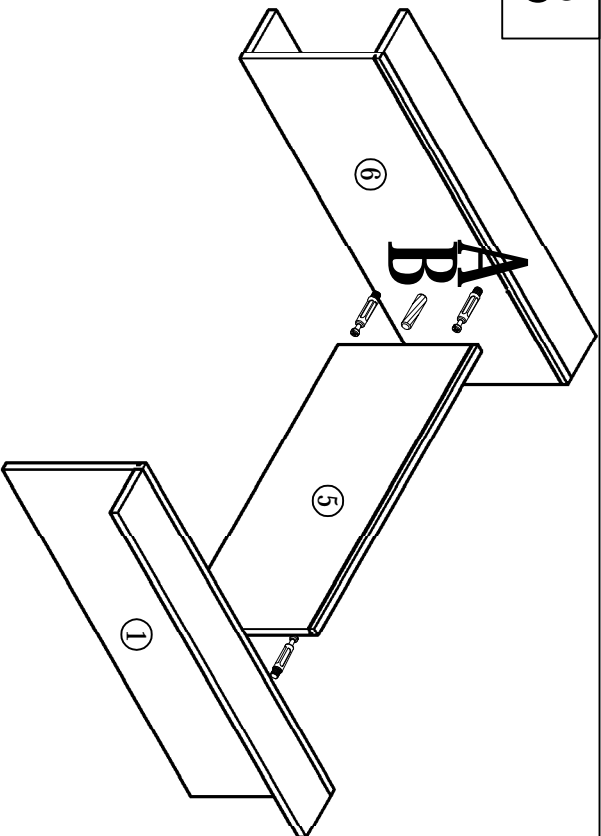
AX2 B\*1 J\*2

2



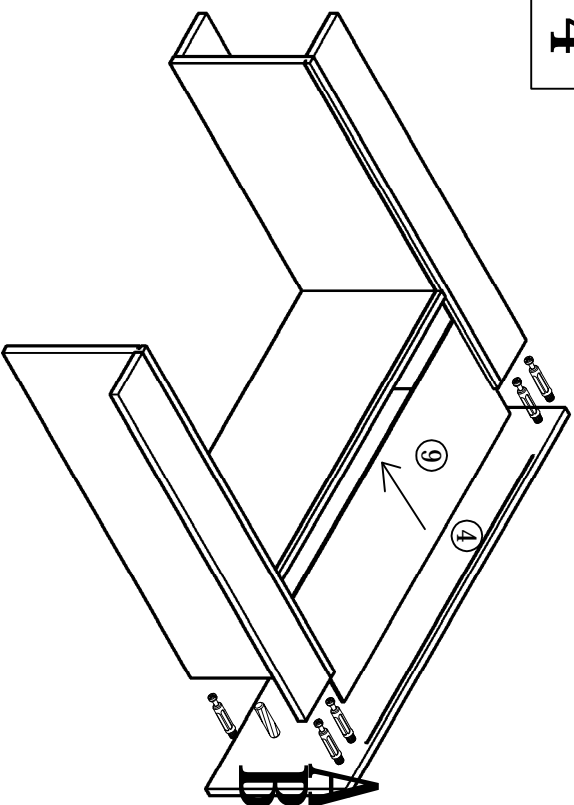
AX4 B\*2 J\*4

3



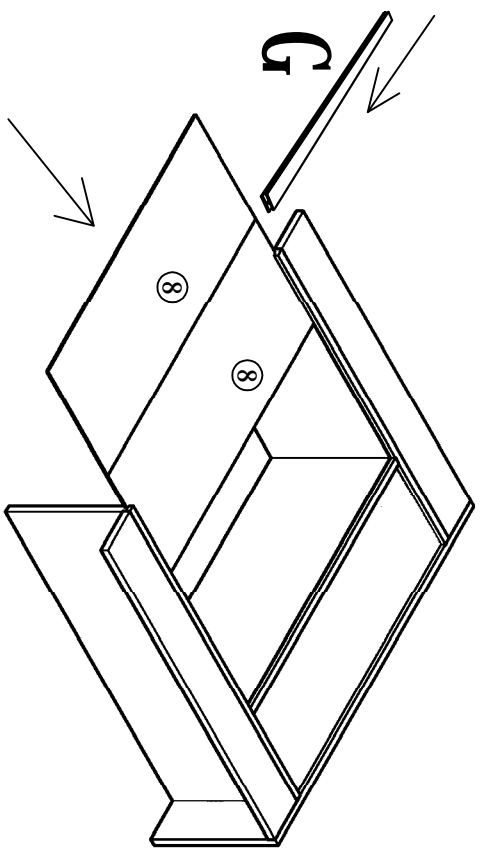
AX4 B\*2 J\*4

4



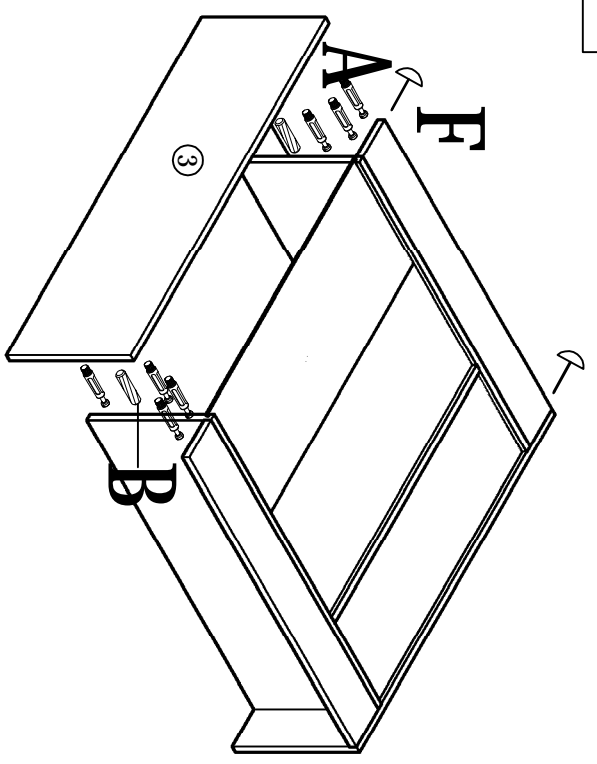
AX10 B\*2 J\*10

5



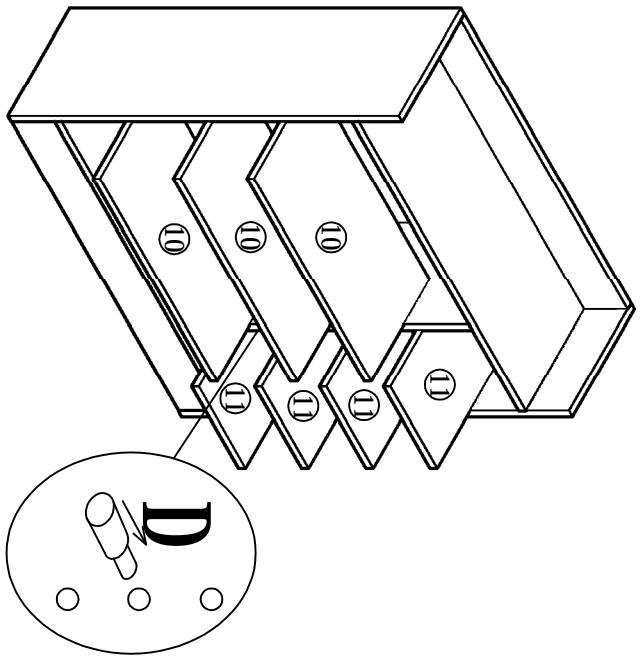
Gx1

6



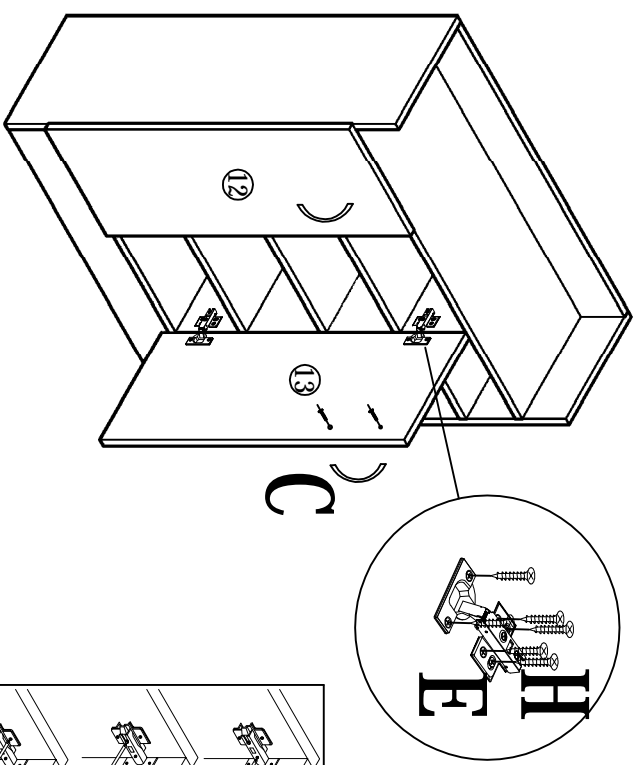
AX10 Bx2 Fx4 J\*10

7

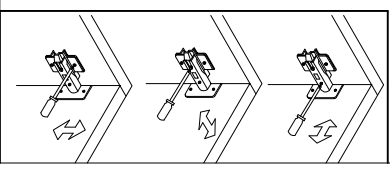


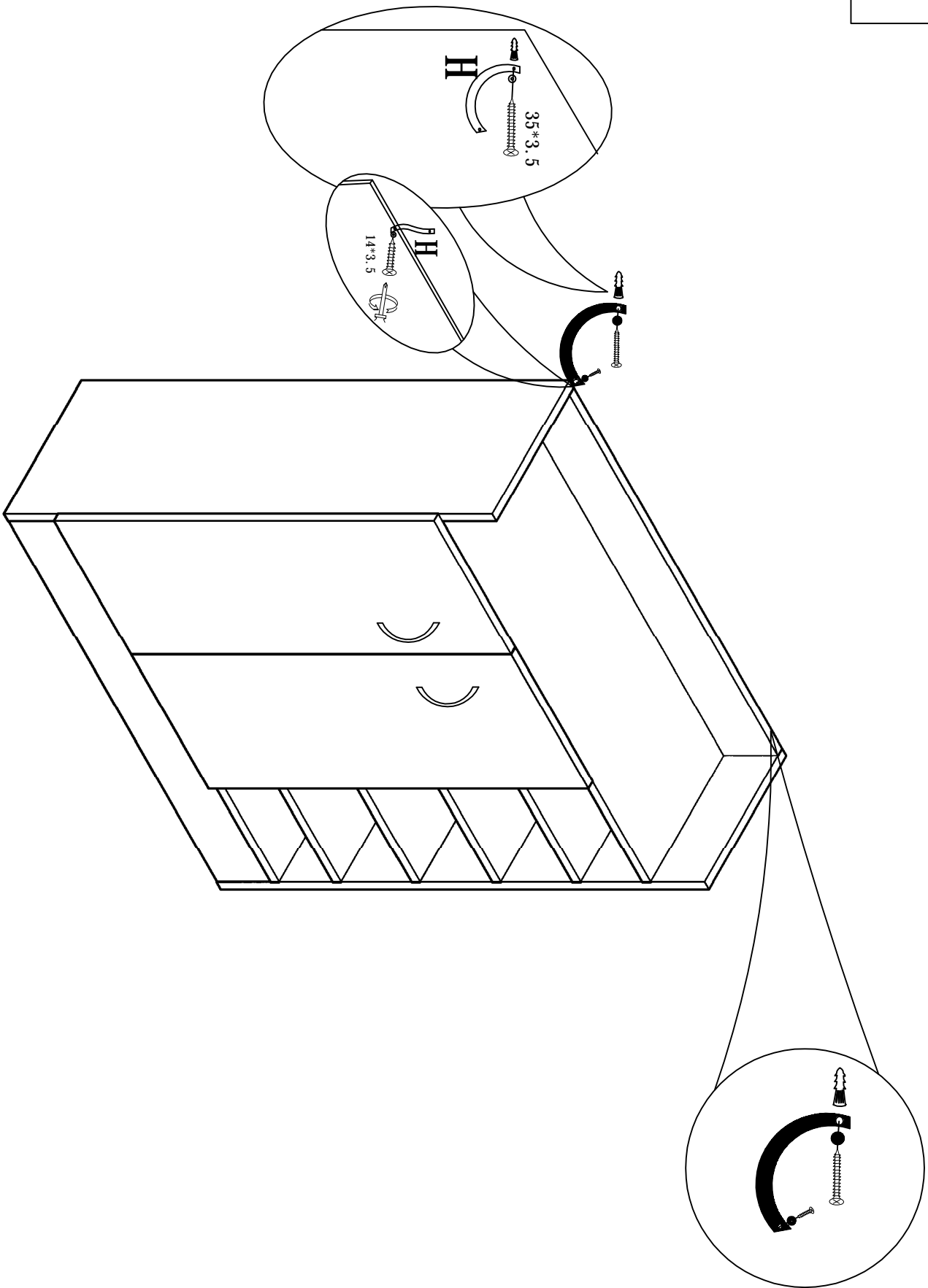
Dx28

8



Cx2 Fx4 Hx16





IX2