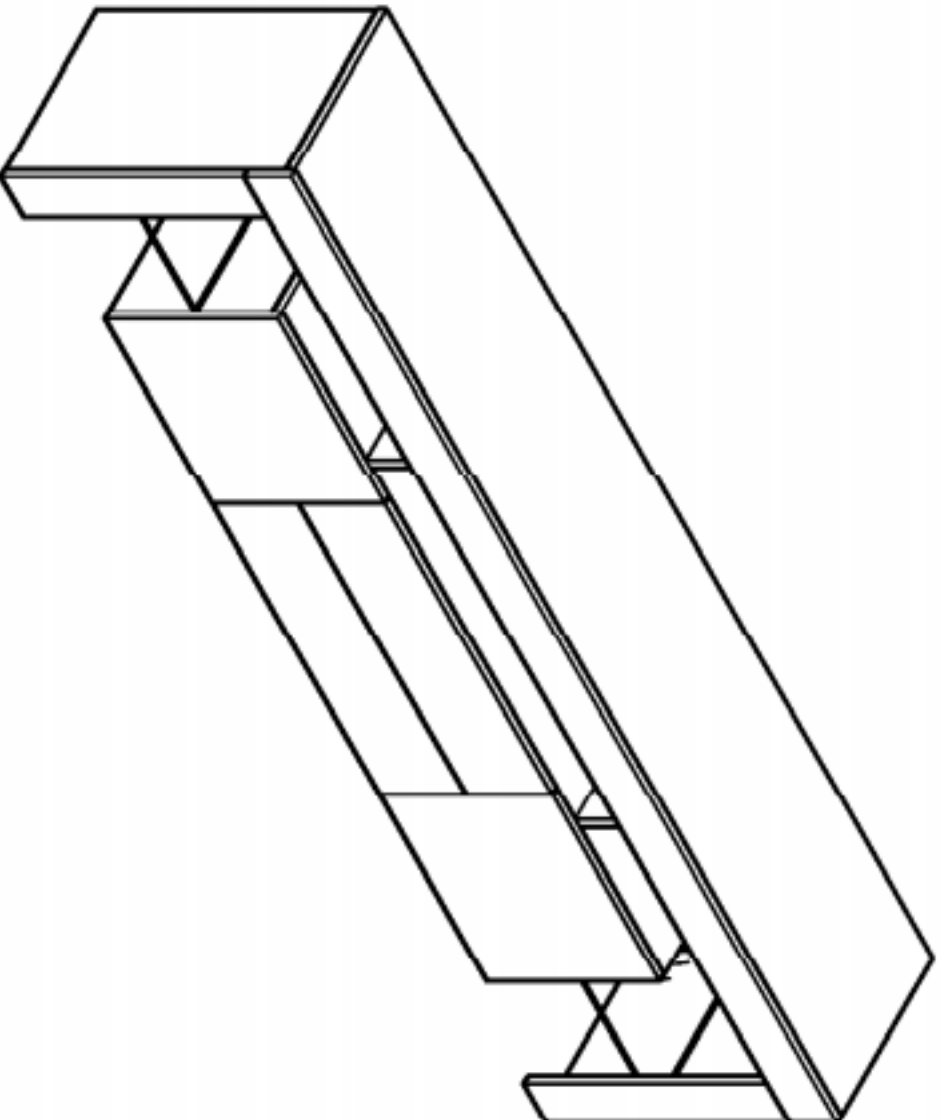
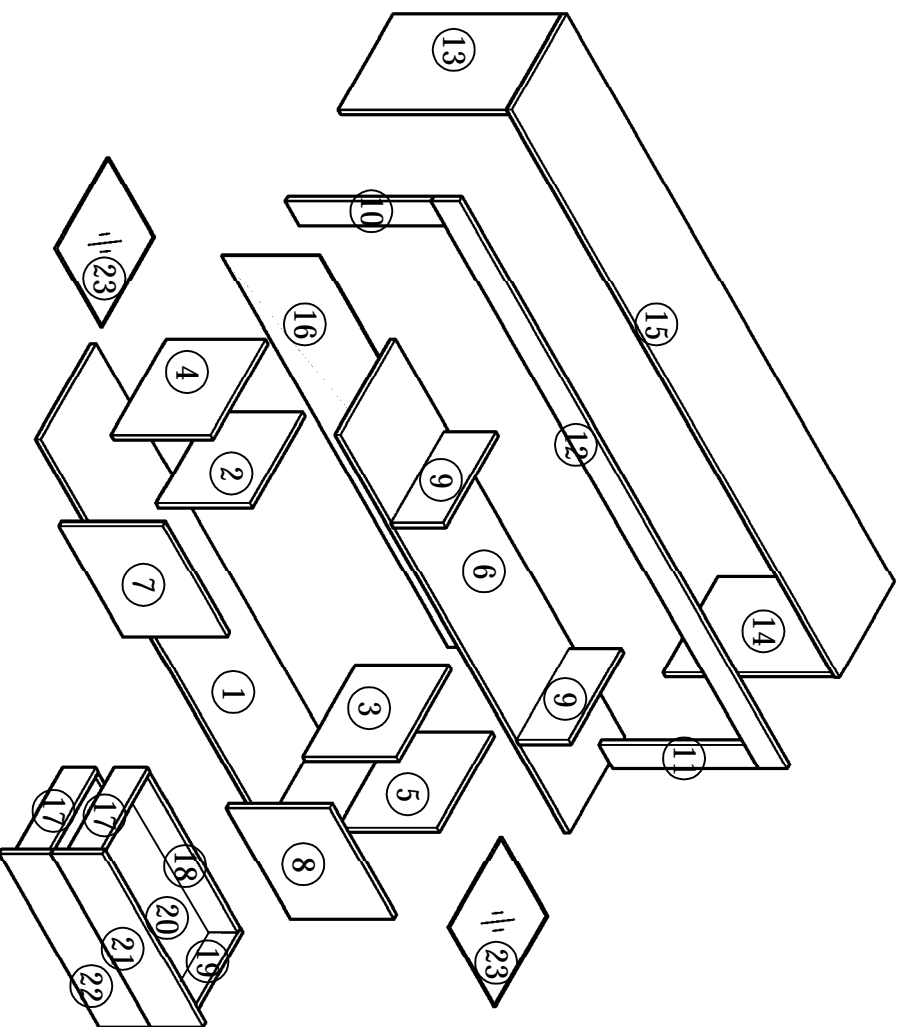
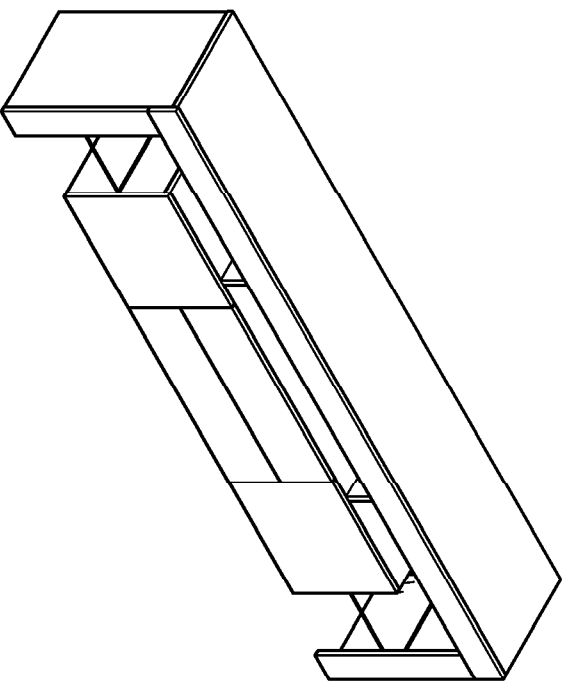
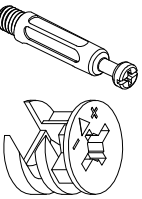

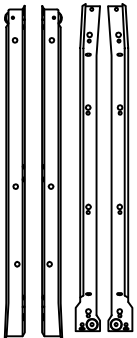


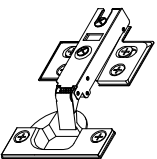
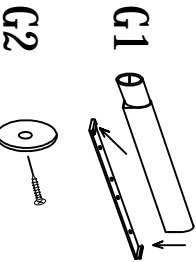


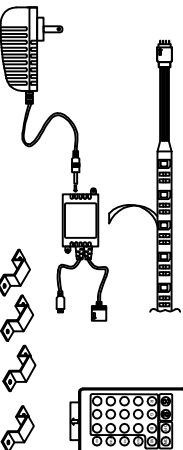
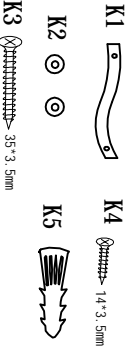



## Code : 22010

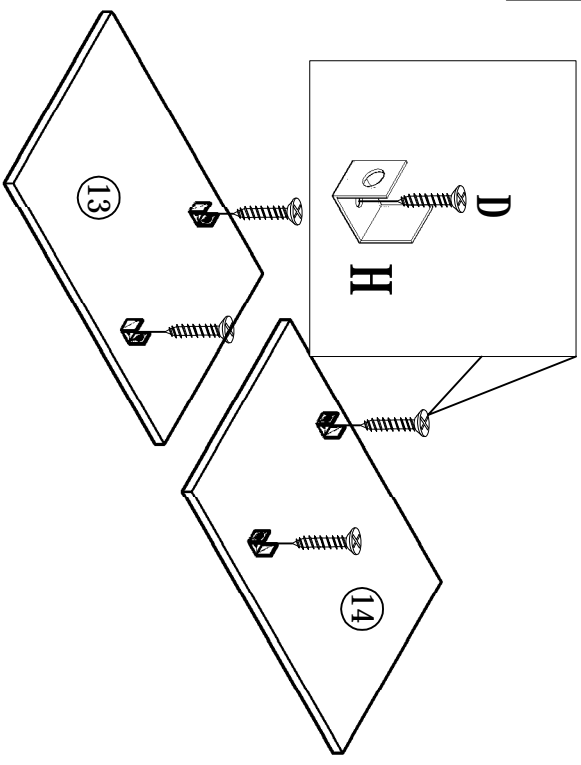


**⚠** Warning Warning - Any furniture that is not anchored to a wall has the potential to tip over in certain circumstances, ie if a child attempts to climb up on the furniture or in the event of an earthquake. Accordingly, we recommend that all furniture is anchored to a wall. We supply a free safety wall anchor with all furniture sold and we recommend these are used to prevent your product tipping. See our blog here for more info on using wall anchors.



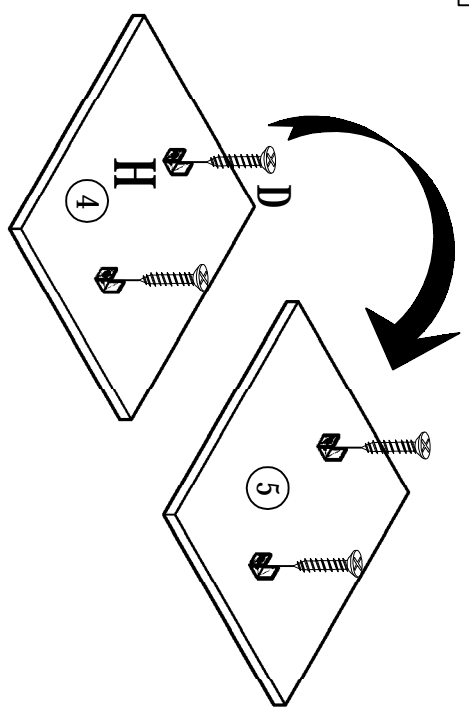
<b>A</b>  53pcs	<b>B</b>  12pcs	<b>C</b>  C1 C2	<b>D</b>  84pcs 14*3.5	<b>E</b>  5pcs	<b>F</b>  4pcs
<b>G</b>  G1 G2 4pcs	<b>H</b>  8pcs	<b>I</b>  8pcs 35*3.5	<b>J</b>  1pcs	<b>K</b>  K1 K2 K3 K4 K5 2pcs	<b>L</b>  53pcs

1



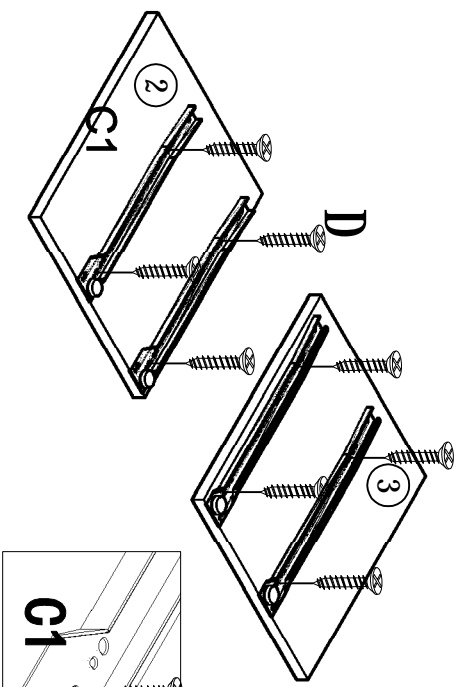
D\*4 H\*4

2



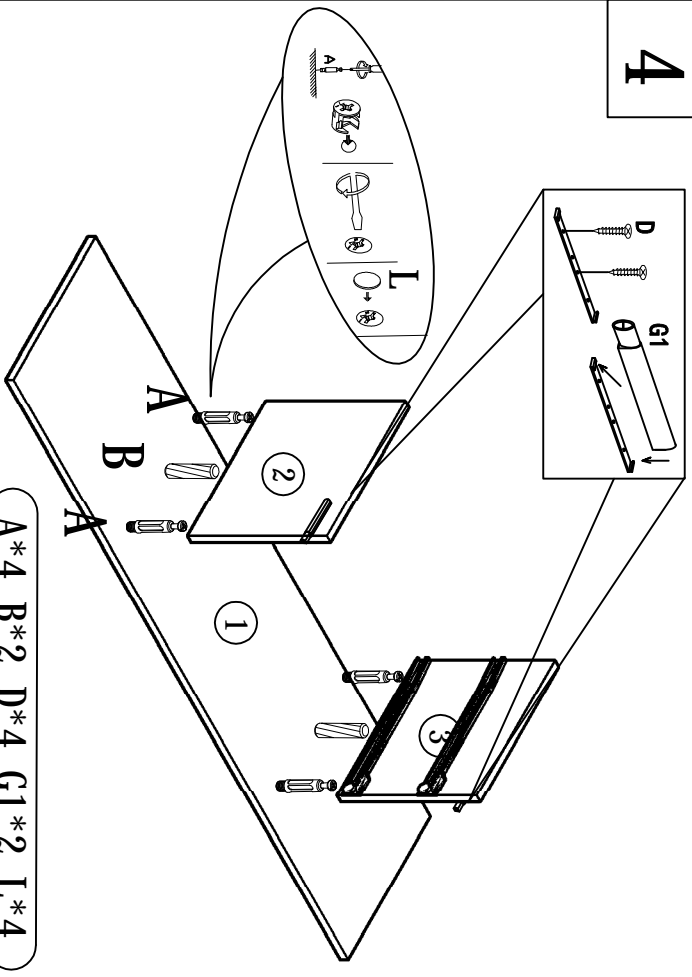
D\*4 H\*4

3



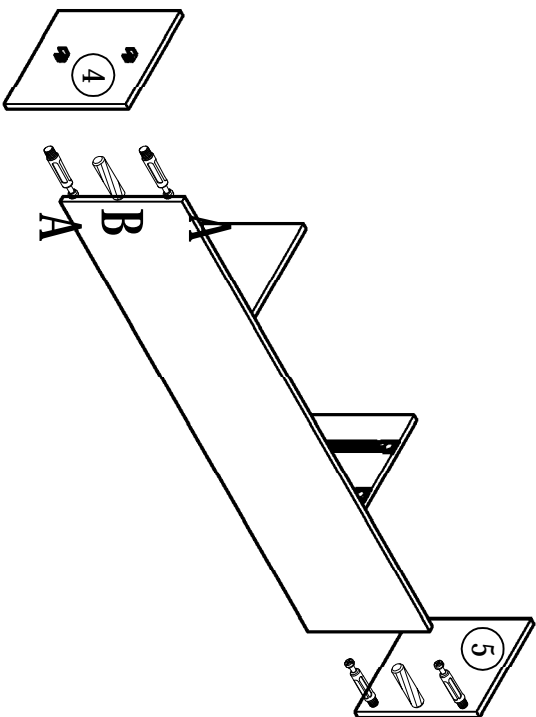
C1\*4 D\*8

4



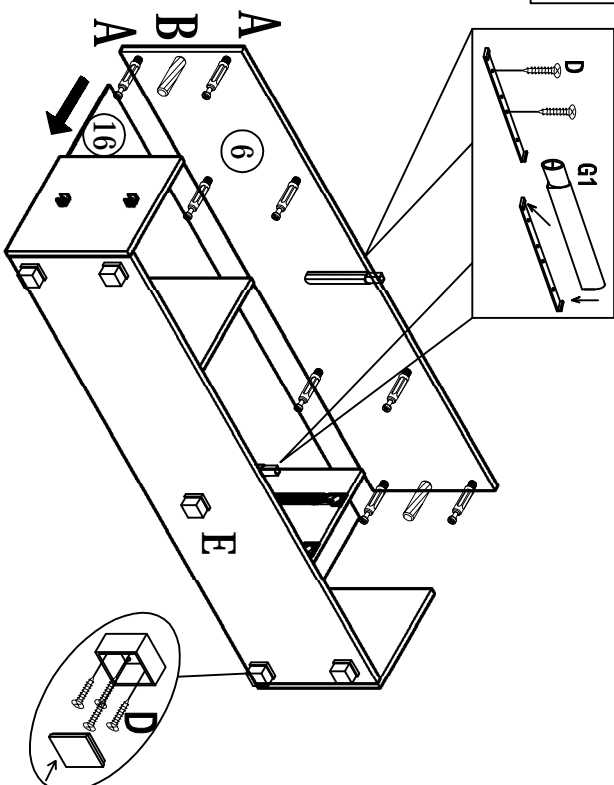
A\*4 B\*2 D\*4 G1\*2 L\*4

5



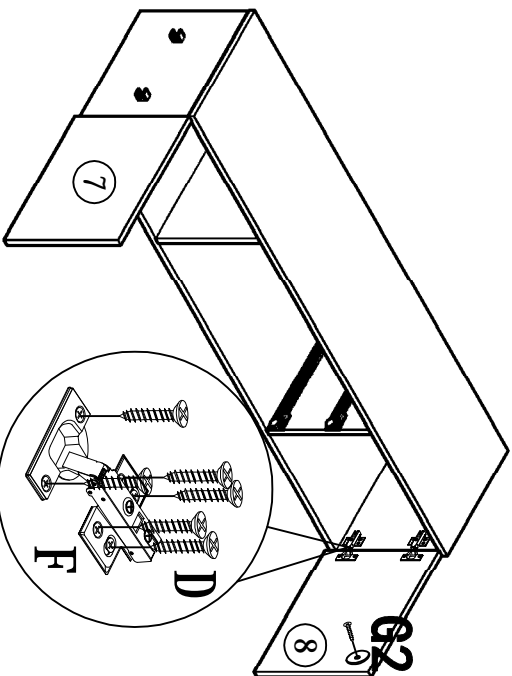
A\*4 B\*2 L\*4

6



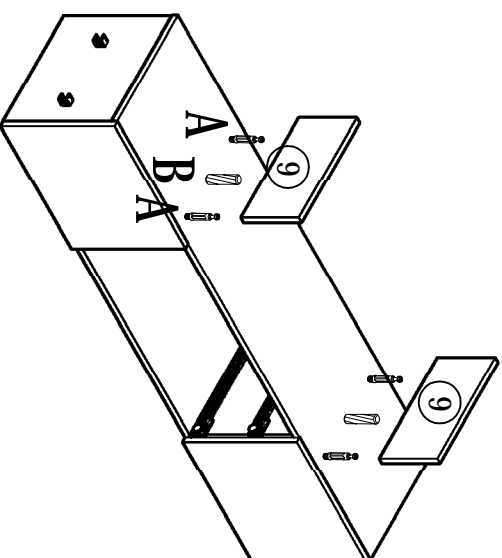
A\*8 B\*2 D\*24 E\*5 G1\*2 L\*8

7



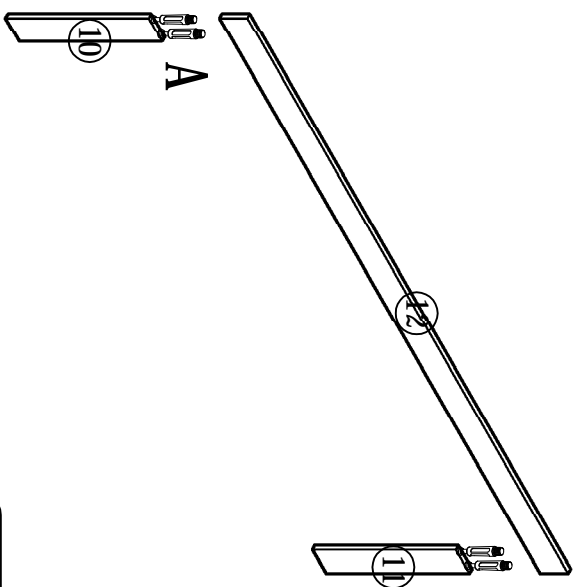
D\*24 F\*4 G2\*2

8



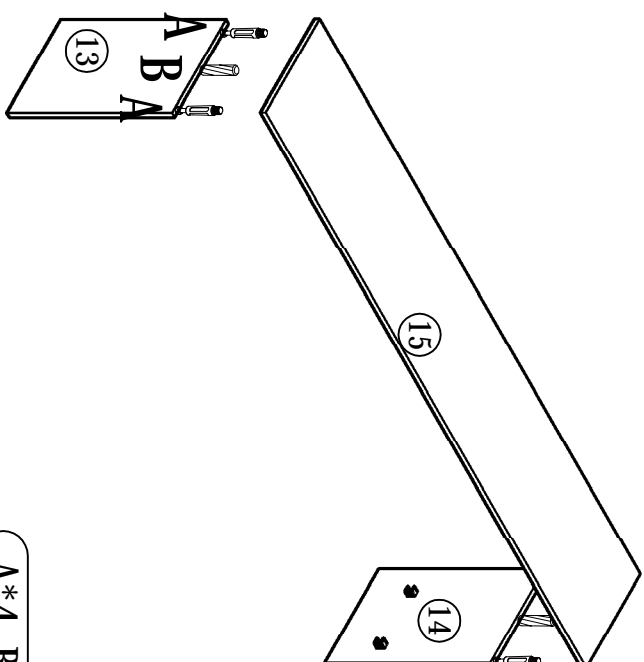
A\*4 B\*2 L\*4

9



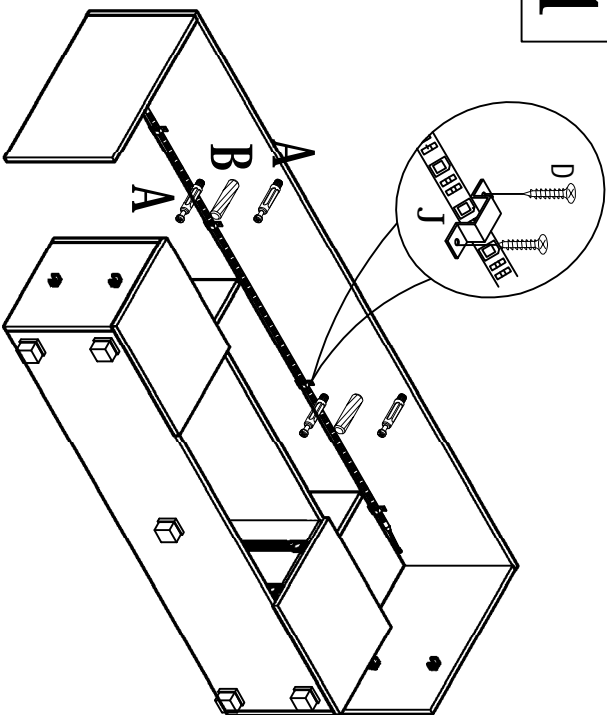
A\*4 L\*4

10



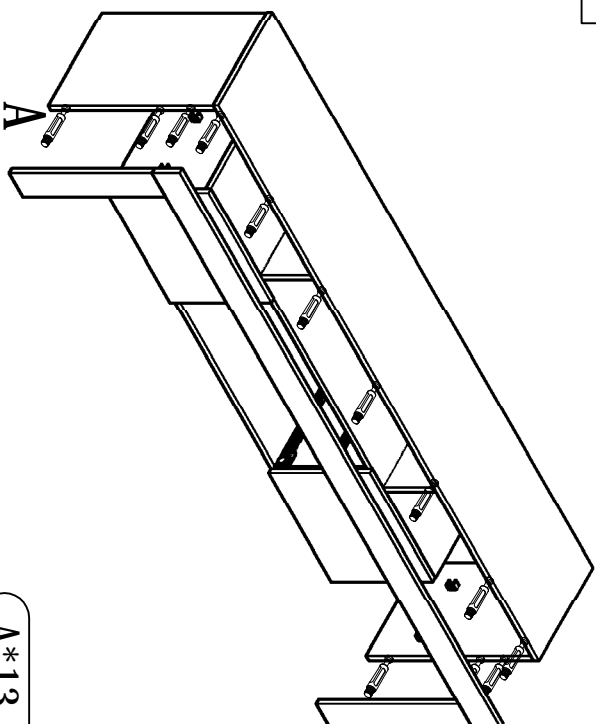
A\*4 B\*2 L\*4

11



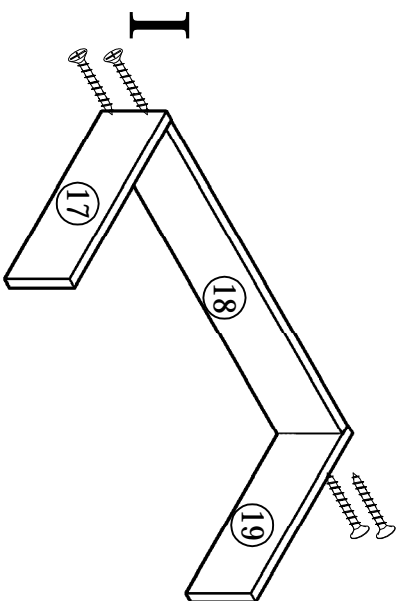
A\*4 B\*2 D\*8 J\*1 L\*4

12



A\*13 L\*13

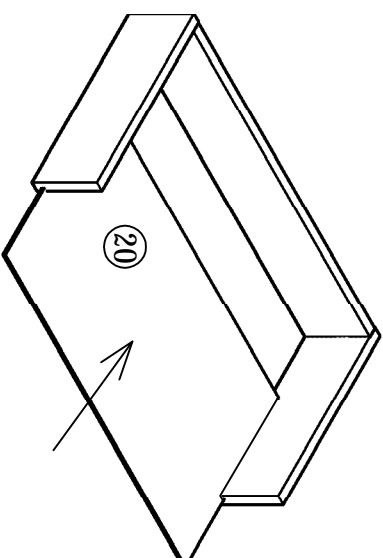
13



X2

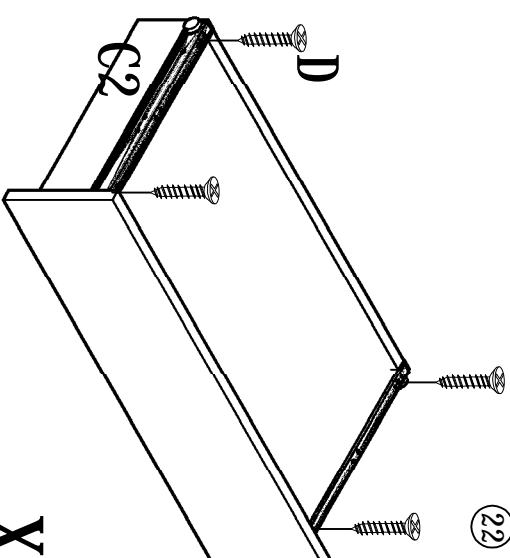
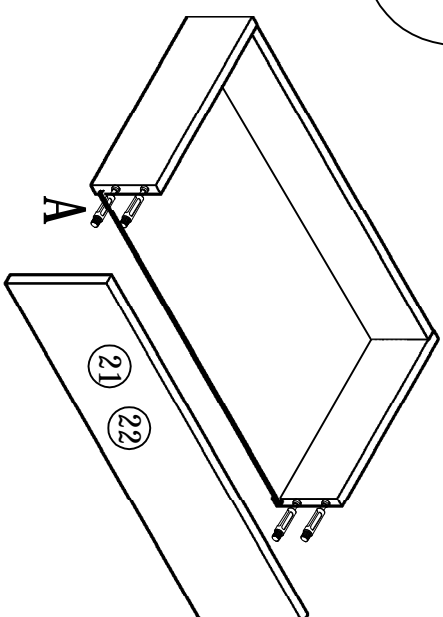
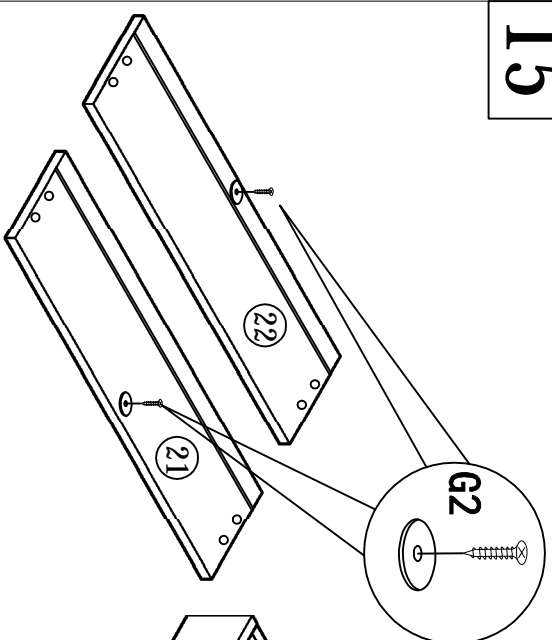
I\*4

14



X2

15

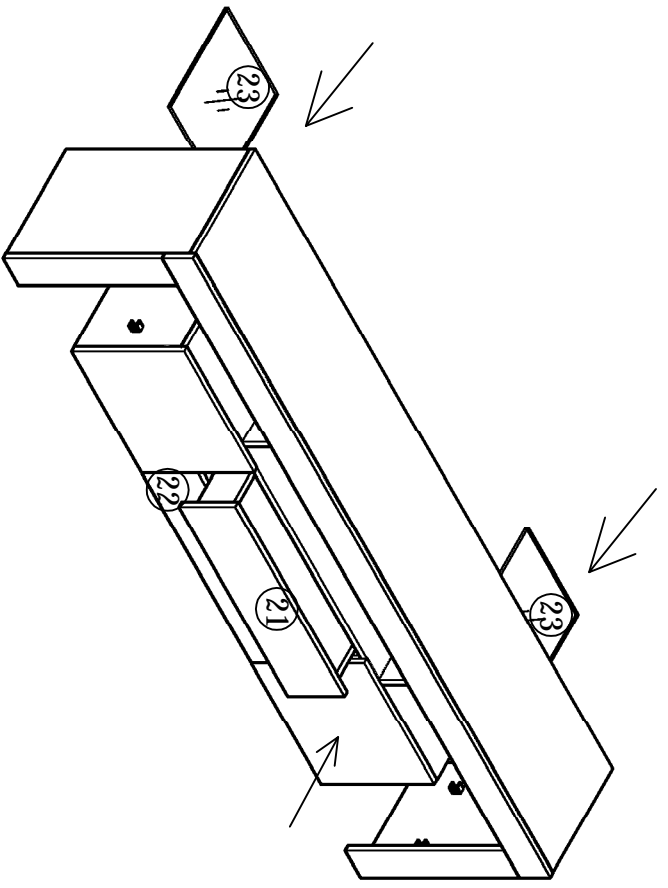


21 X1  
22 X1

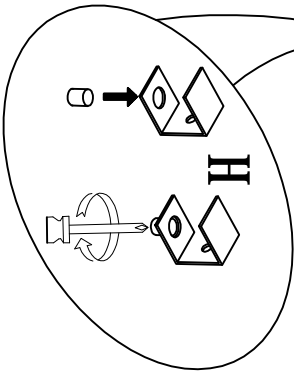
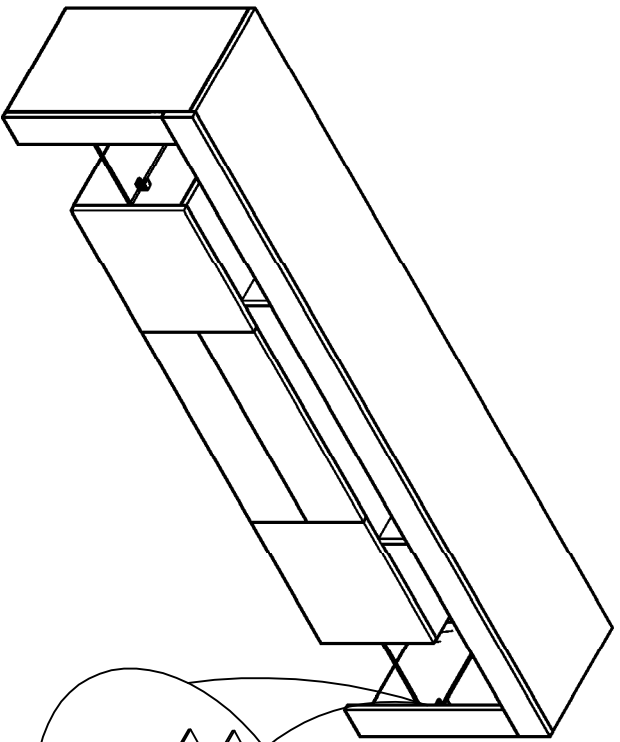
X2

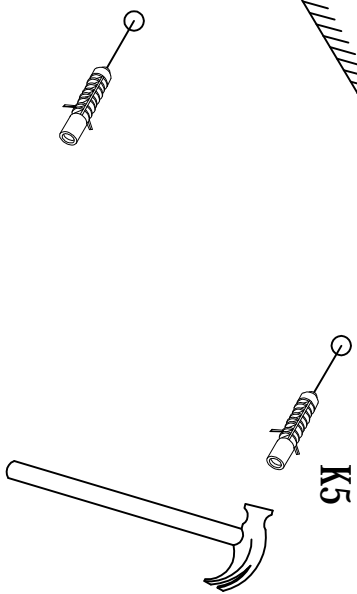
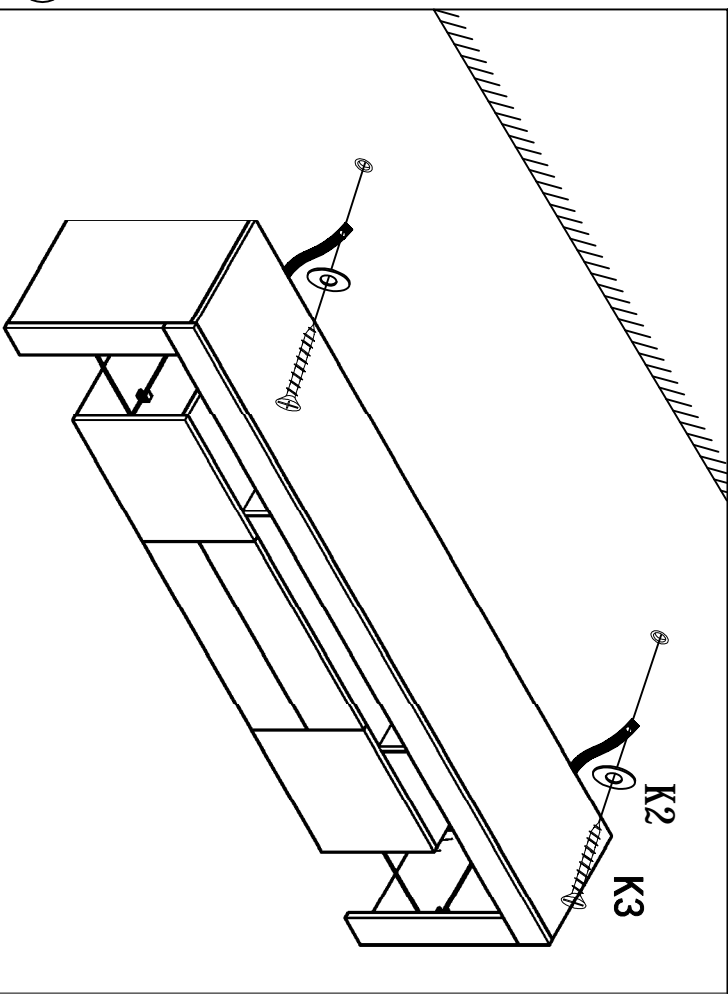
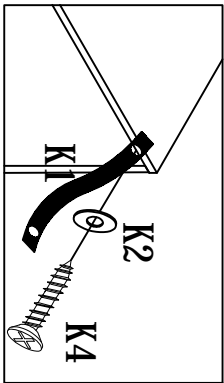
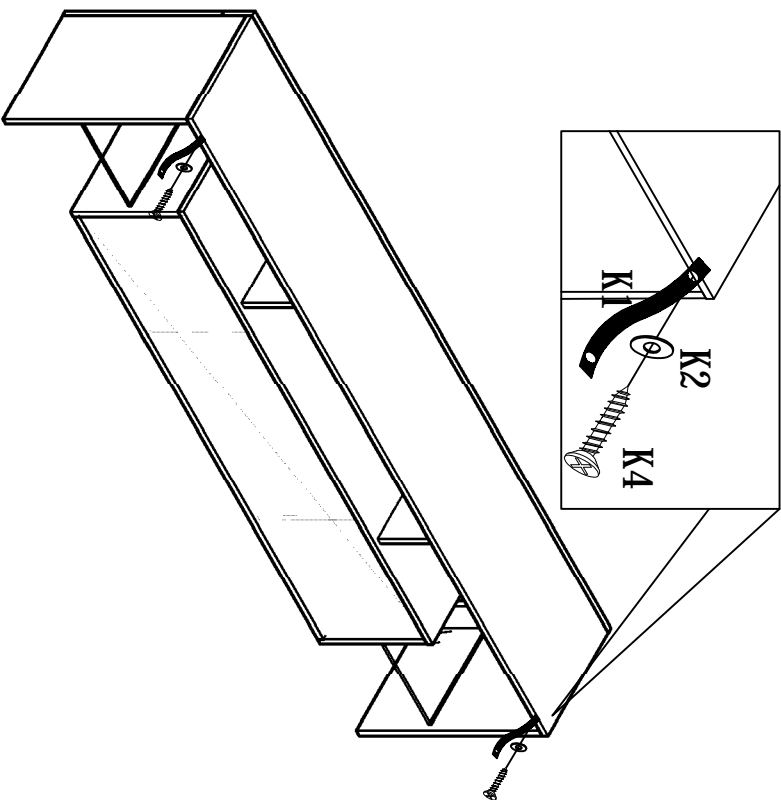
A\*4 C2\*2 D\*4 G\*2 I\*4

16



17





K\*2



