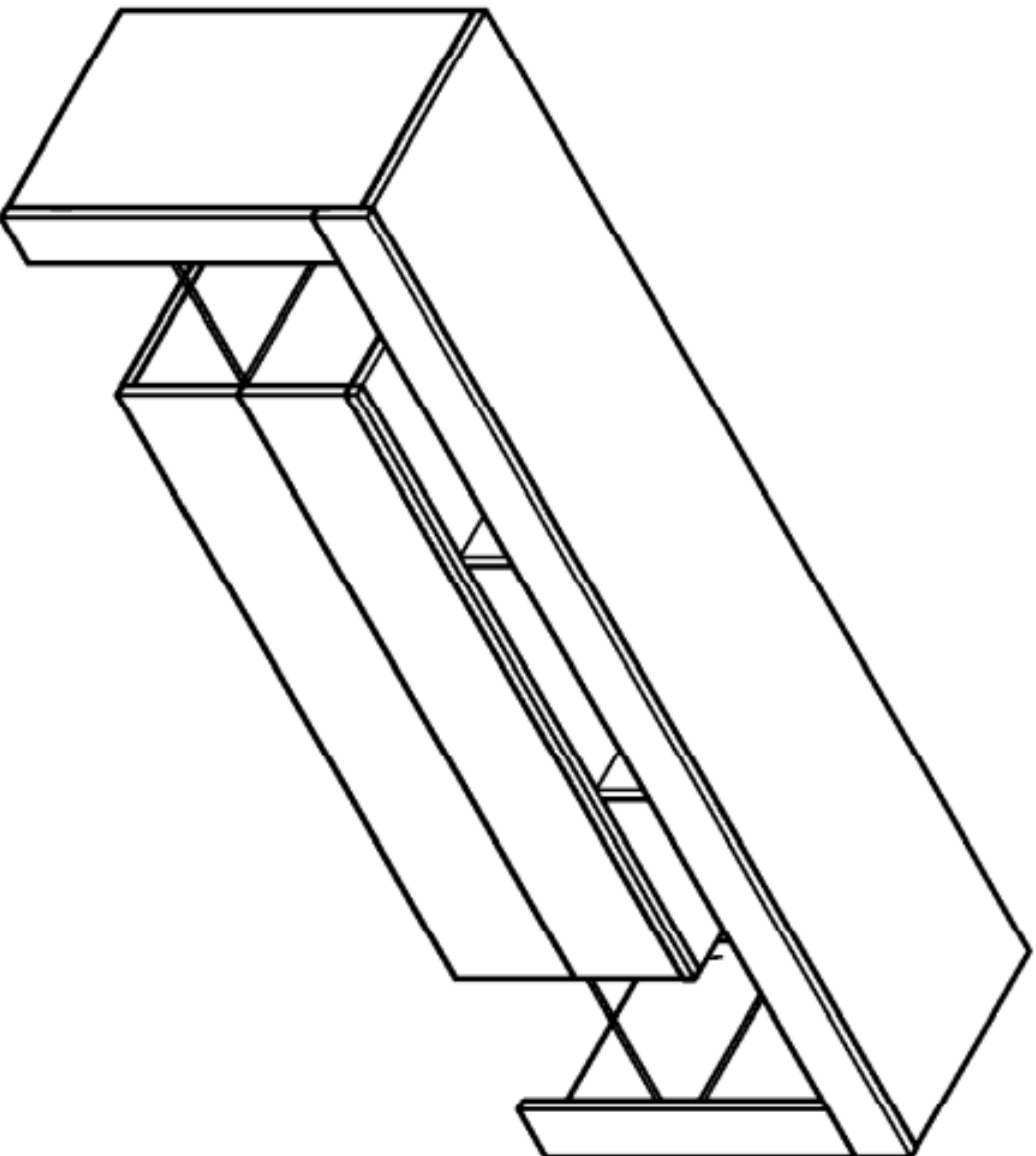
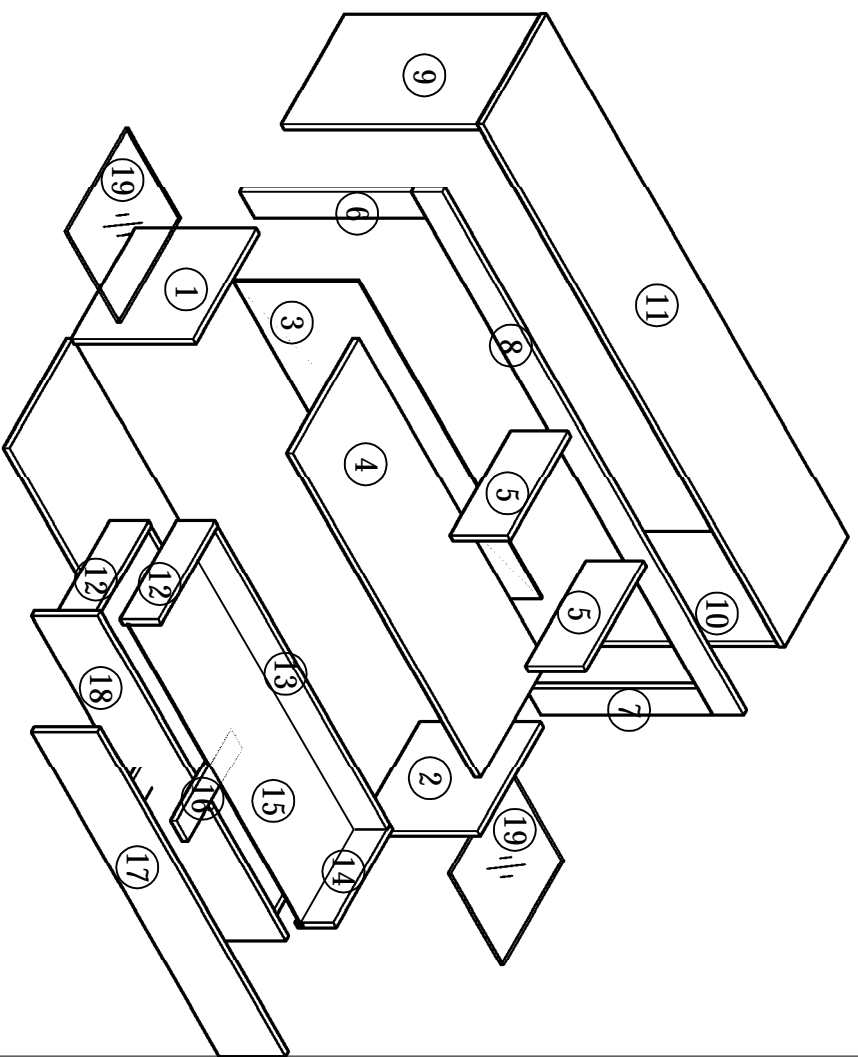
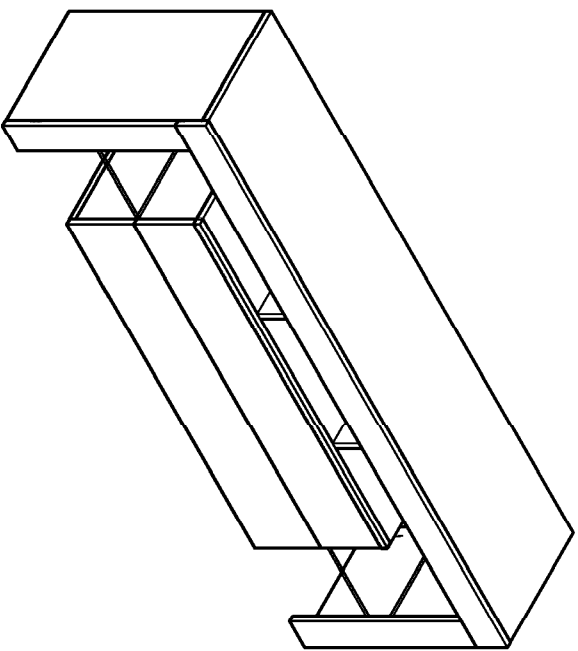
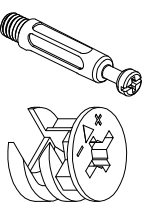
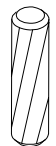
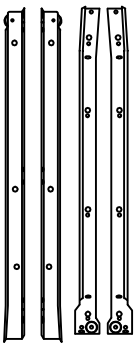


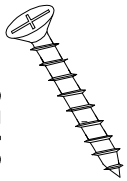
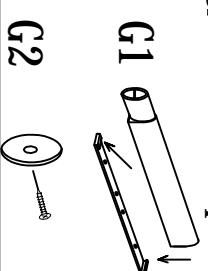

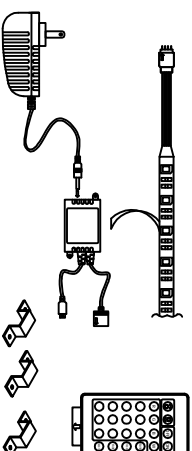
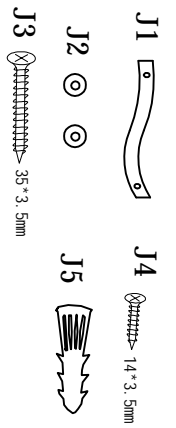



## Code : 22008

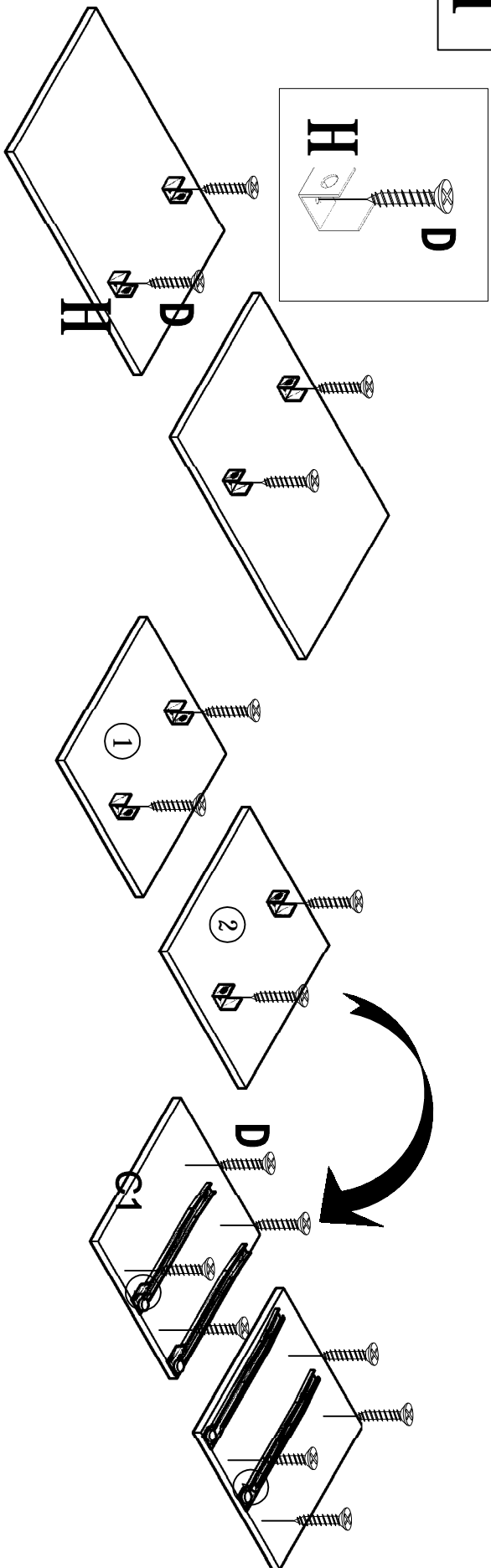


**⚠** Warning Warning - Any furniture that is not anchored to a wall has the potential to tip over in certain circumstances, ie if a child attempts to climb up on the furniture or in the event of an earthquake. Accordingly, we recommend that all furniture is anchored to a wall. We supply a free safety wall anchor with all furniture sold and we recommend these are used to prevent your product tipping. See our blog here for more info on using wall anchors.



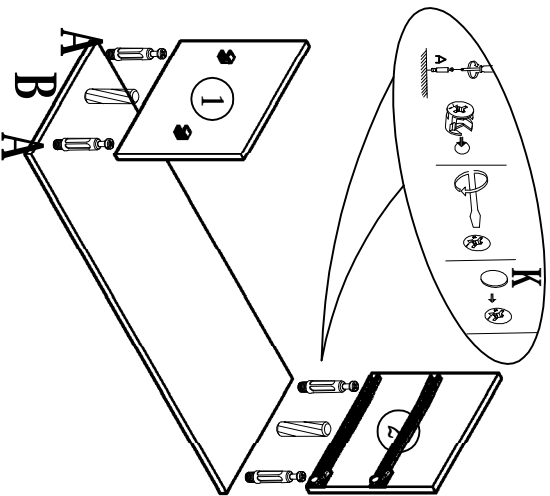
<b>A</b>  48pcs	<b>B</b>  10pcs	<b>C</b>  G1 G2 2pcs	<b>D</b>  50pcs 14*3.5	<b>E</b>  4pcs	<b>F</b>  8pcs 35*3.5
<b>G</b>  2pcs G1 G2	<b>H</b>  8pcs	<b>I</b>  1pcs	<b>J</b>  J1 J2 J3 J4 J5 2pcs 14*3.5mm 35*3.5mm	<b>K</b>  48pcs	

1



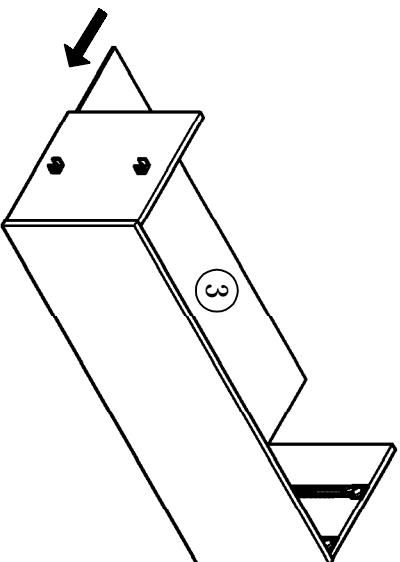
C1\*4 D\*16 H\*8

2

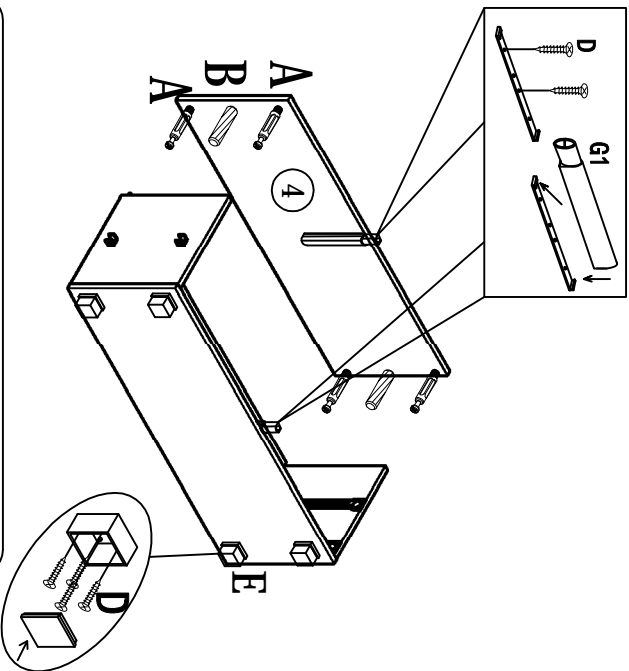


A\*4 B\*2 K\*4

3

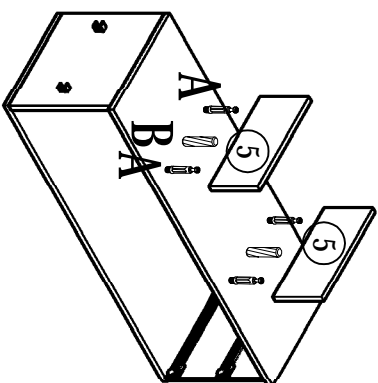


4



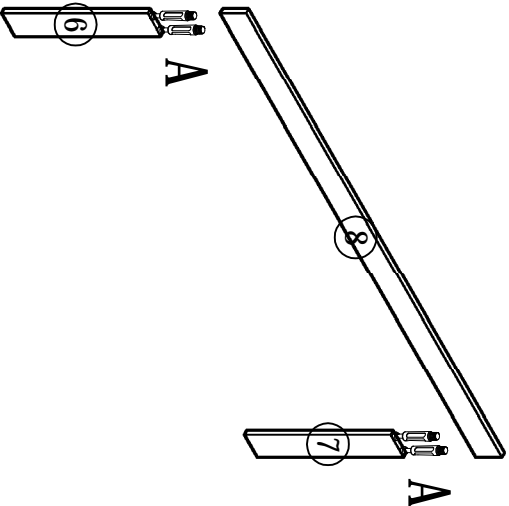
A\*4 B\*2 D\*20 E\*4 G1\*2 K\*4

5



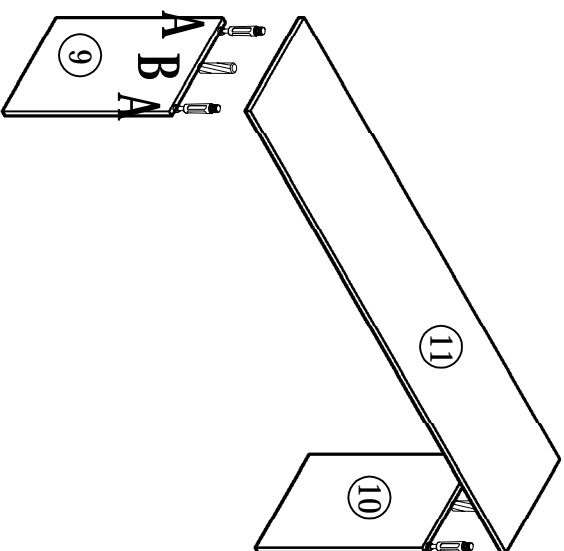
A\*4 B\*2 K\*4

6



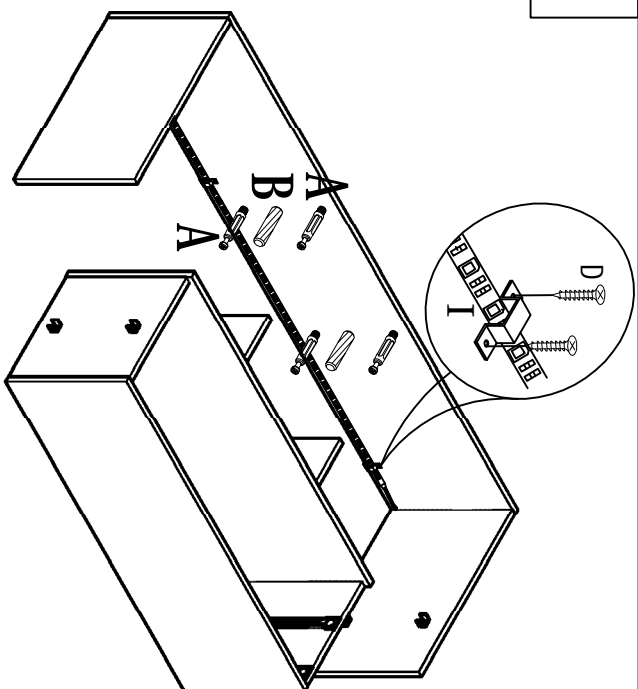
A\*4 K\*4

7



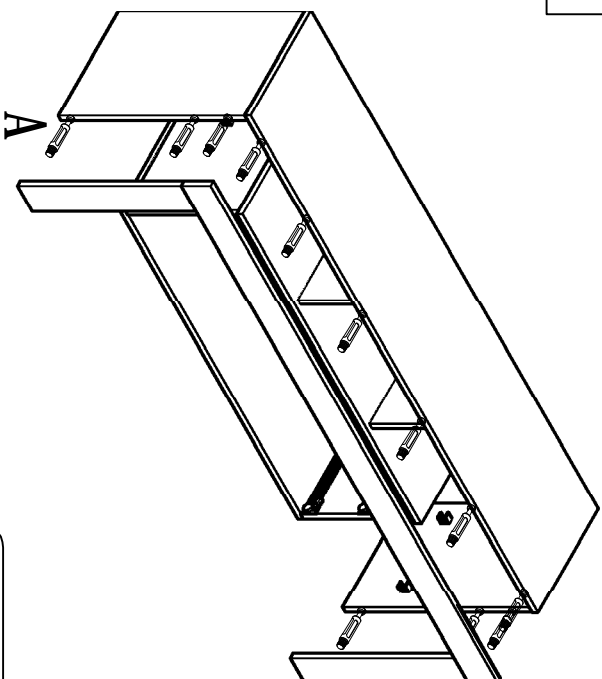
A\*4 B\*2 K\*4

8



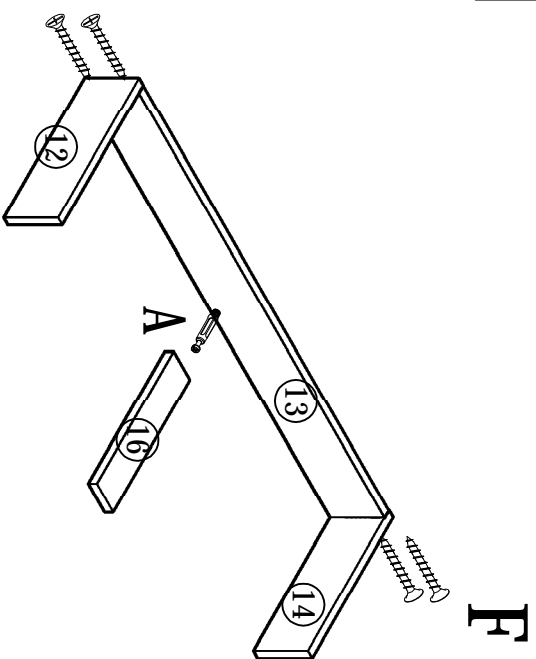
A\*4 B\*2 D\*6 I\*1 K\*4

9



A\*12 K\*12

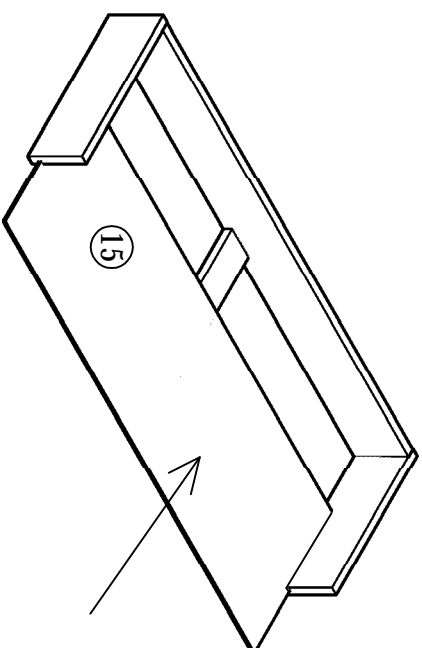
10



F

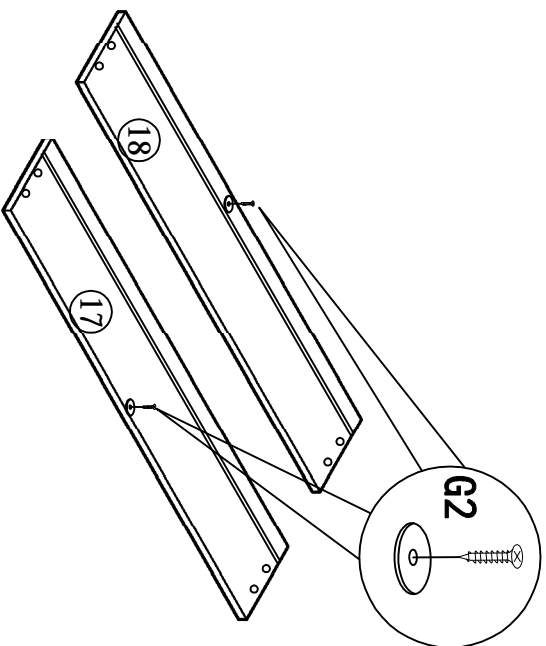
X2

11



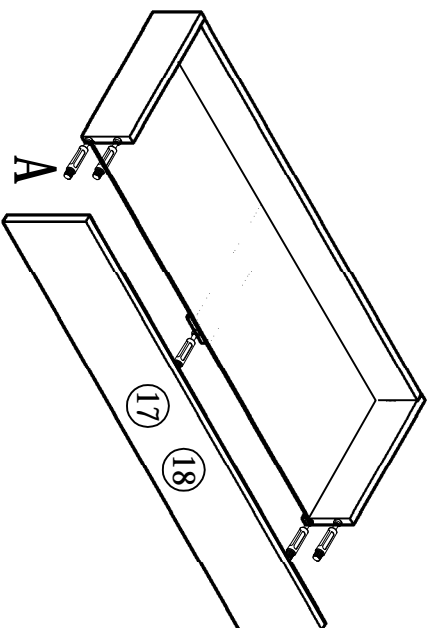
A\*1 F\*4 K\*1

12



G2\*2

13

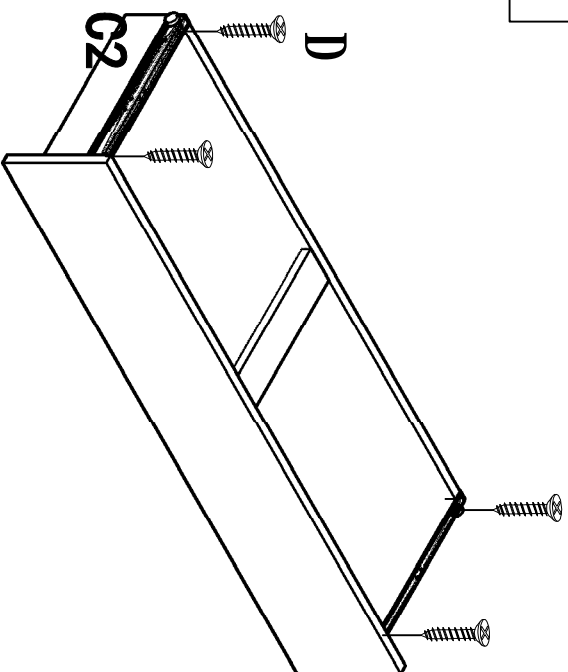


17 X1  
18 X1

X2

A\*5 K\*5

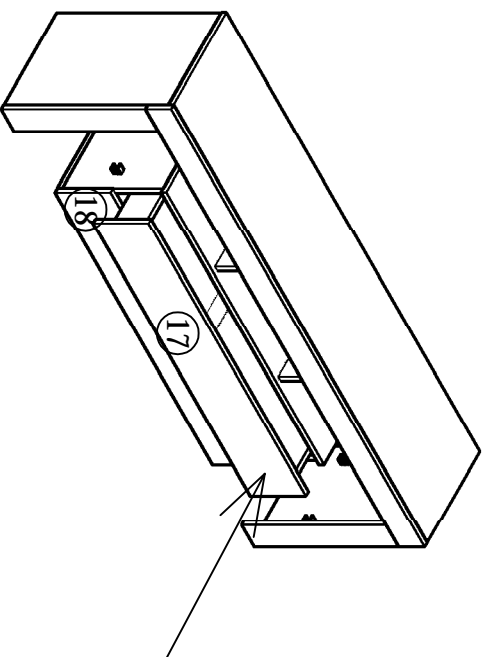
14



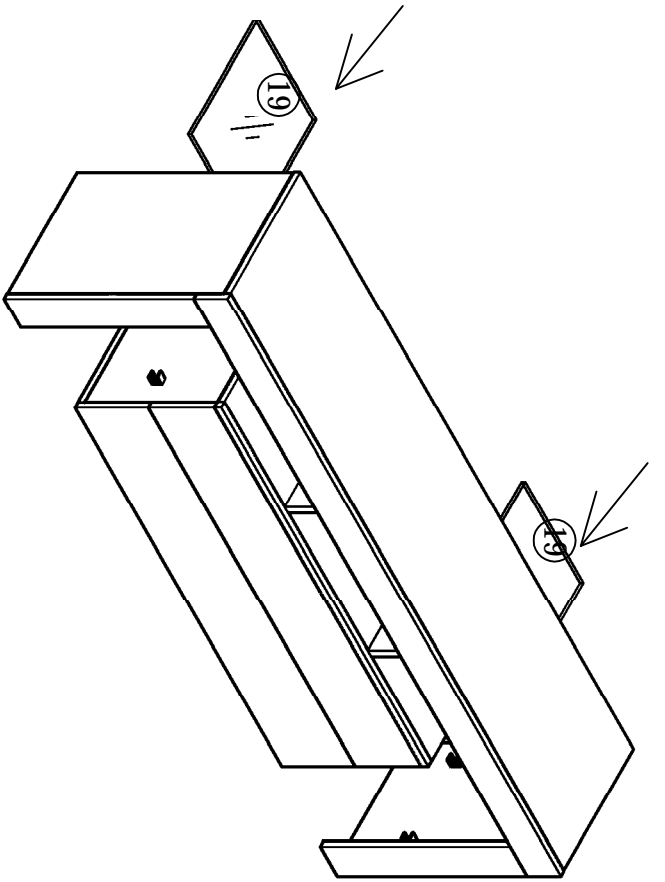
X2

C2\*2 D\*4

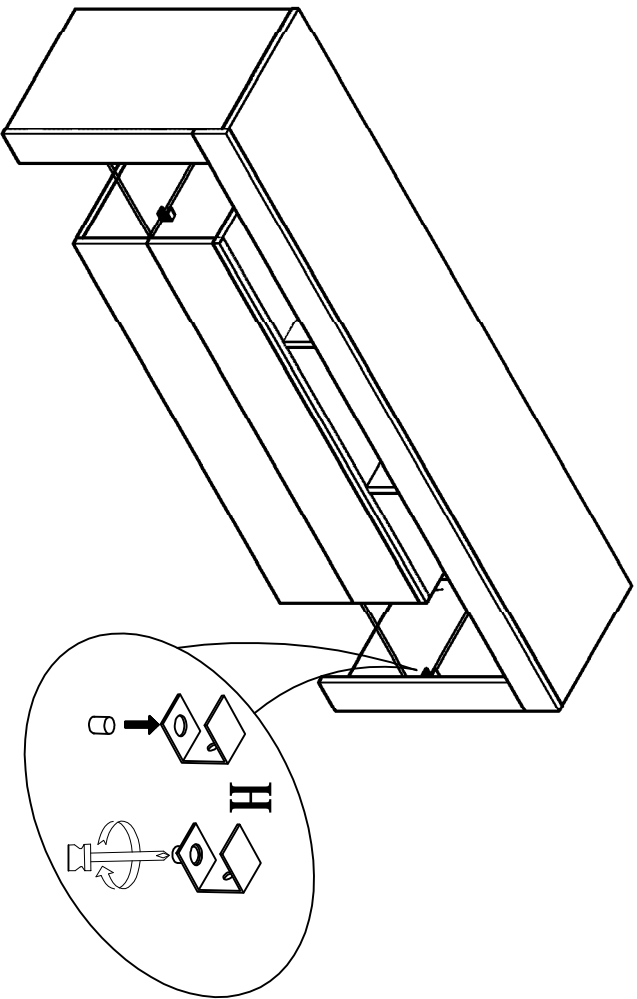
15

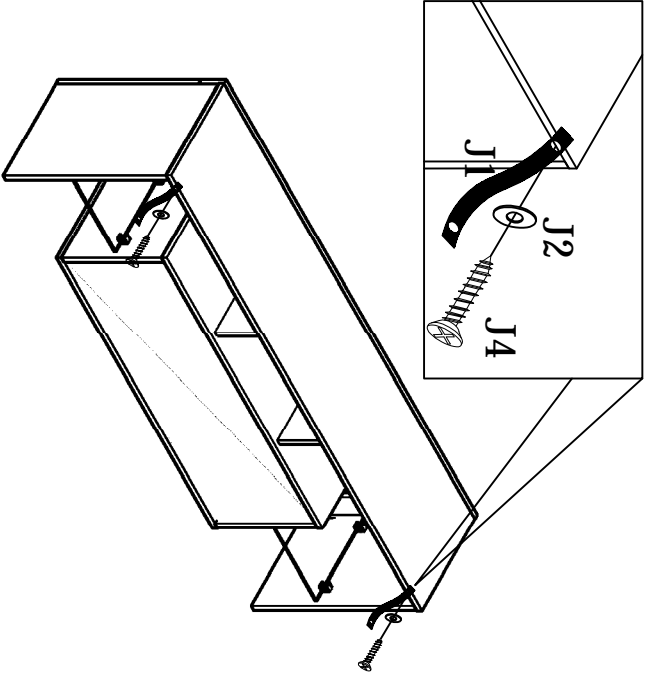


16



17





J\*2

