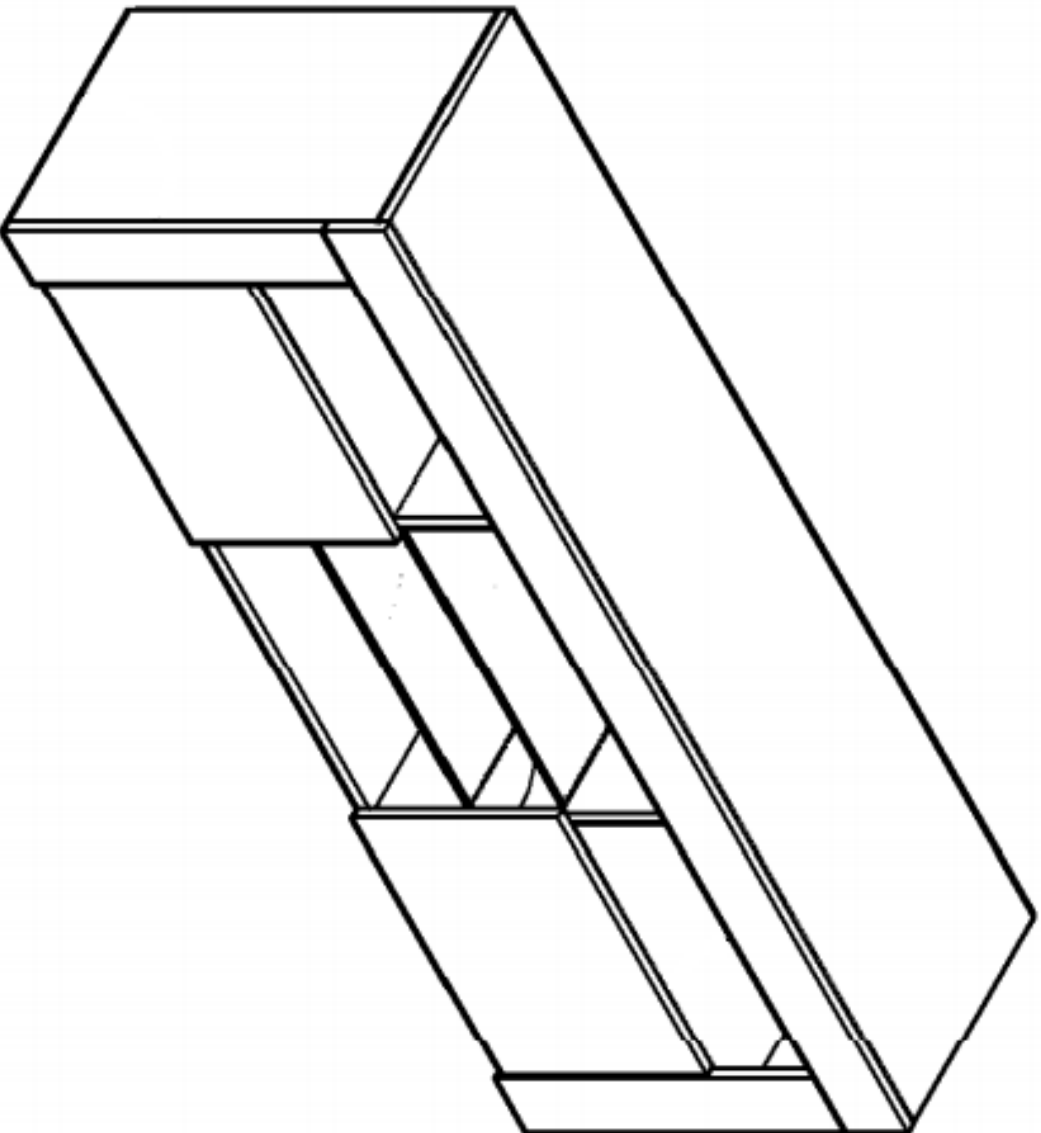
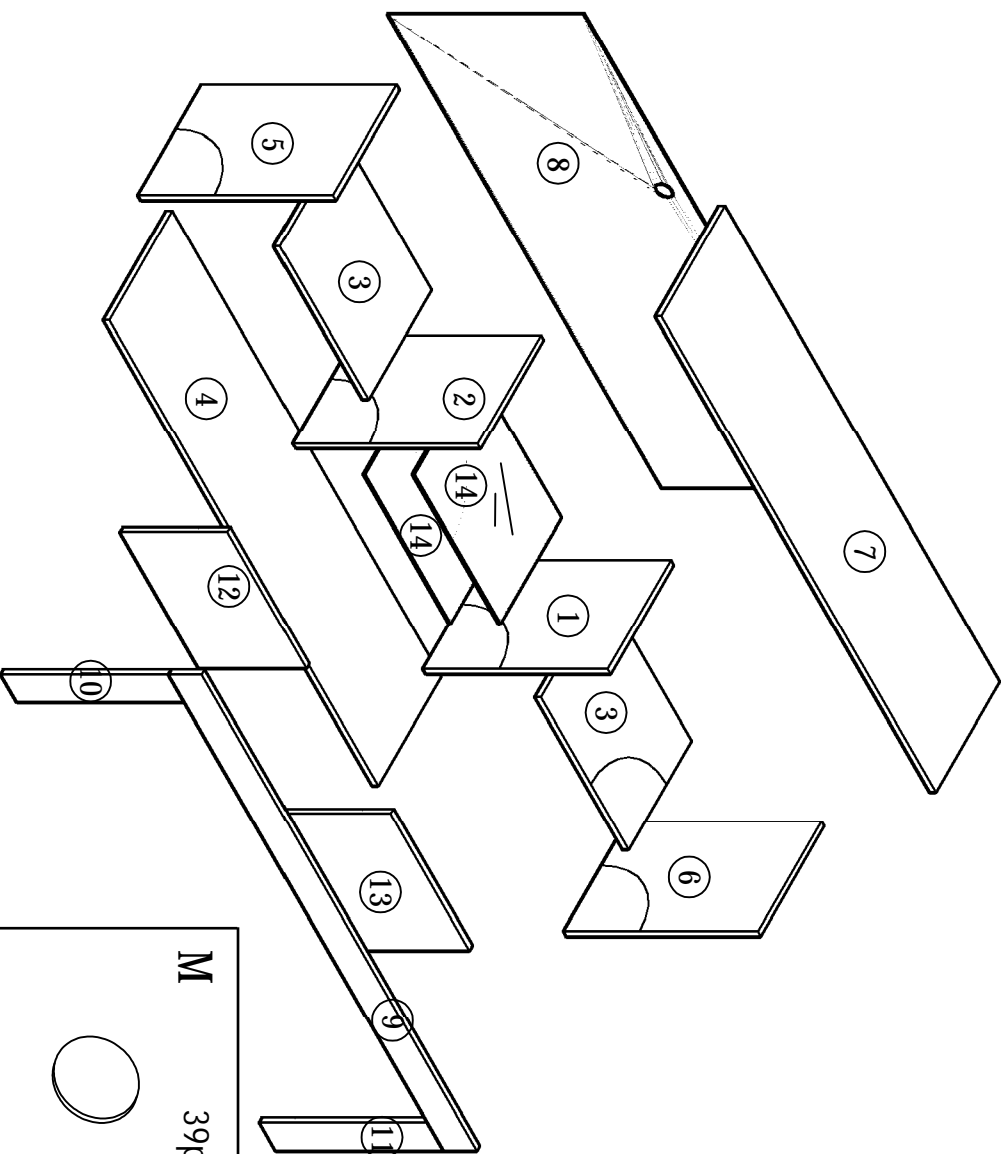
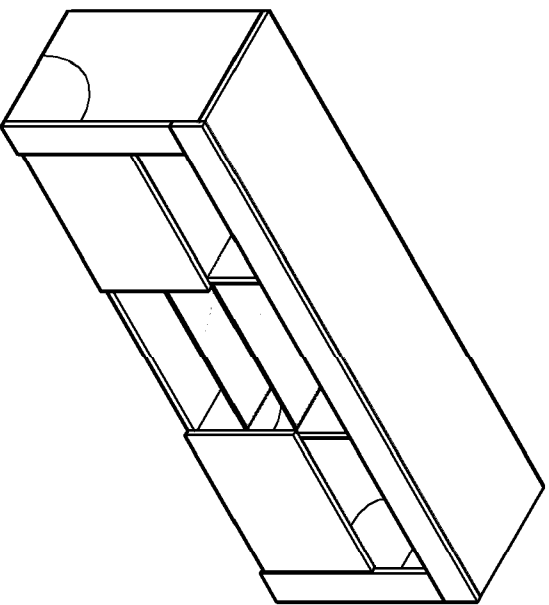
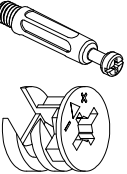
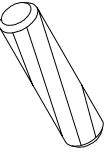


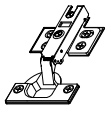
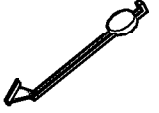
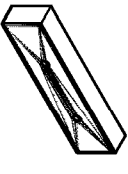

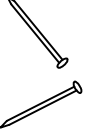

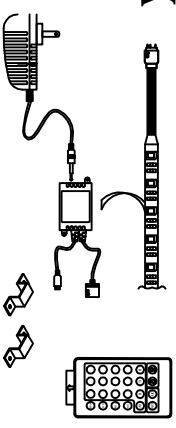
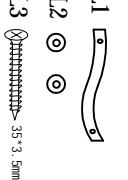
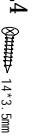



Code : 21999

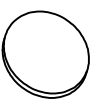


⚠ Warning Warning - Any furniture that is not anchored to a wall has the potential to tip over in certain circumstances, ie if a child attempts to climb up on the furniture or in the event of an earthquake. Accordingly, we recommend that all furniture is anchored to a wall. We supply a free safety wall anchor with all furniture sold and we recommend these are used to prevent your product tipping. See our blog here for more info on using wall anchors.

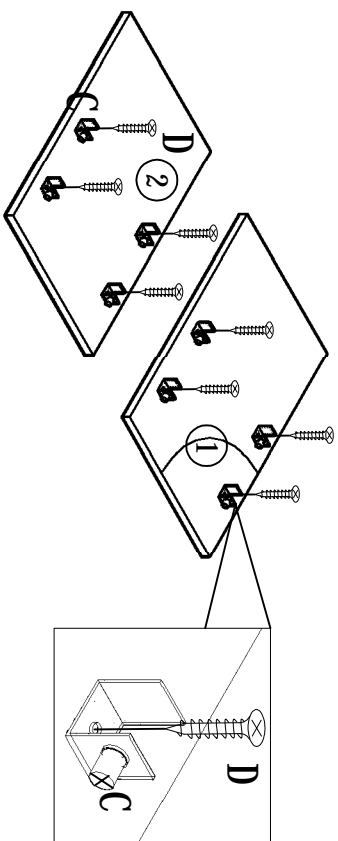


A  39pcs	B  12pcs	C  8pcs	D  14*3.5MM 46pcs	E  4pcs	F  2pcs
G  1pcs	H  20*3.5MM 2pcs	I  50pcs	J  4pcs	K  1pcs	L    L1 L2 L3 L4 L5 39*3.5mm 14*3.5mm 35*3.5mm 2pcs

M
39pcs

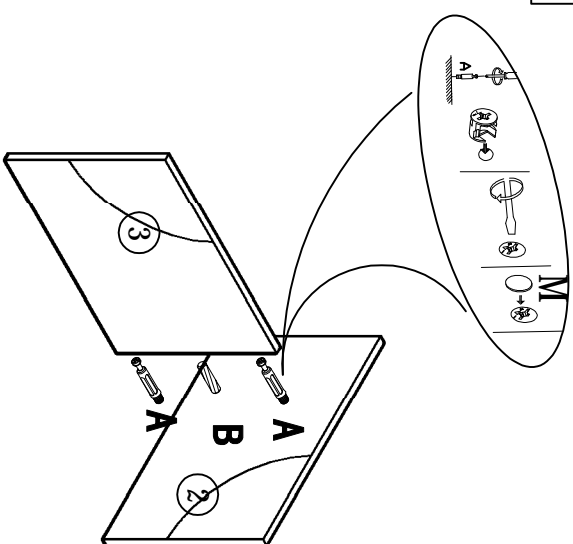


1



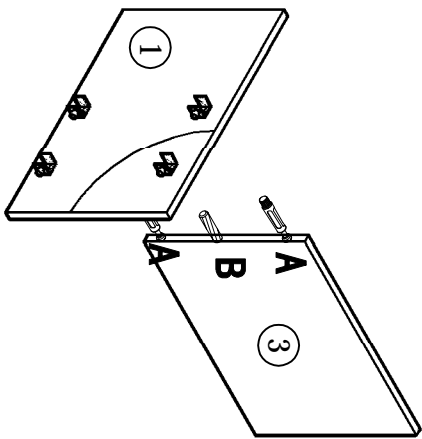
C*8 D*8

2



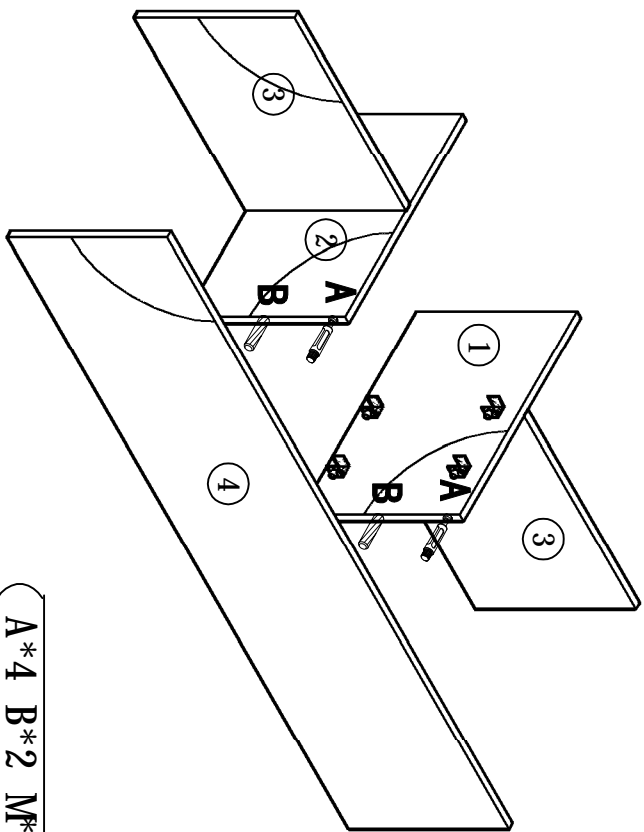
A*2 B*1 M*2

3



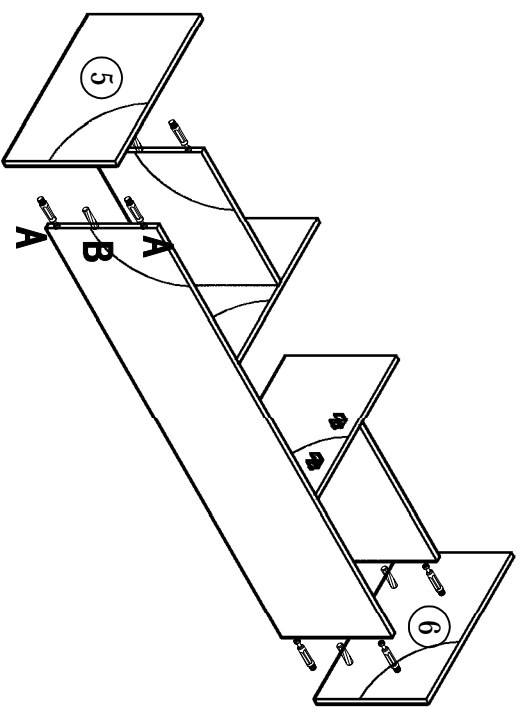
A*2 B*1 M*2

4



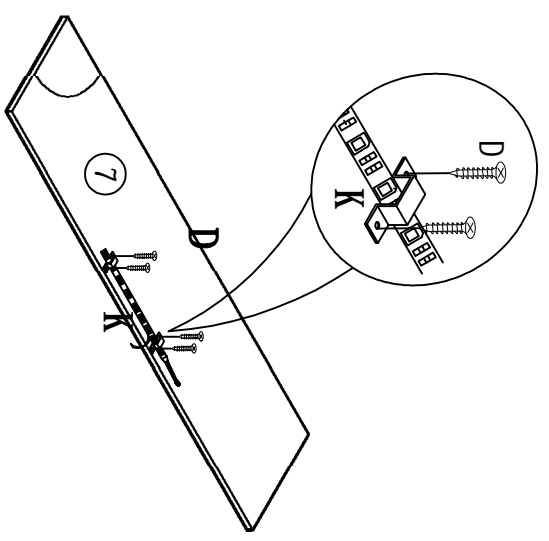
A*4 B*2 M*4

5



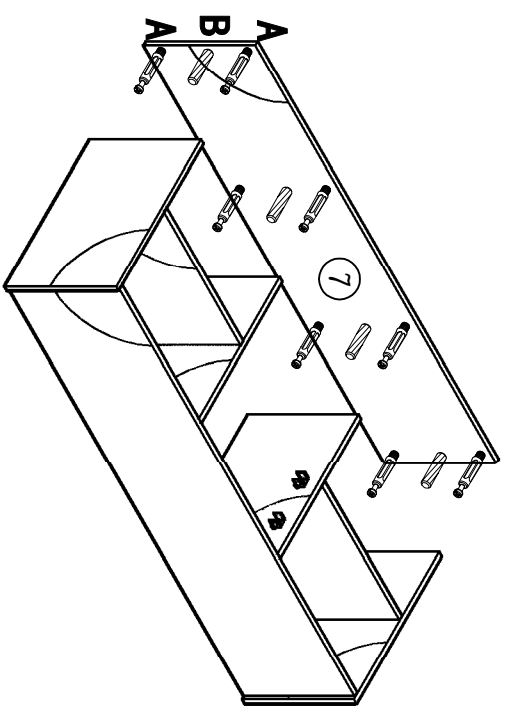
A*8 B*4 M*8

6



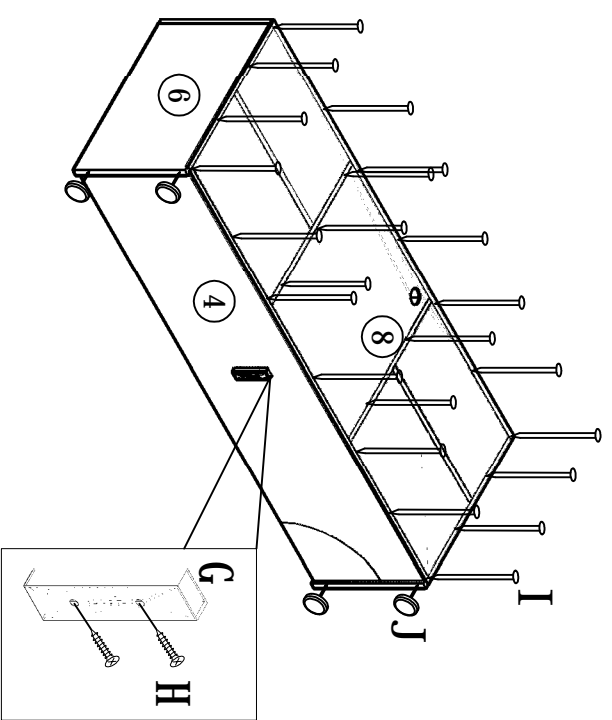
D*4 K*1

7



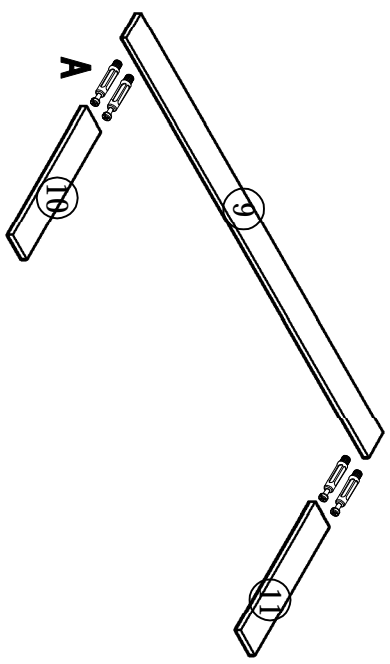
A*8 B*4 M*8

8



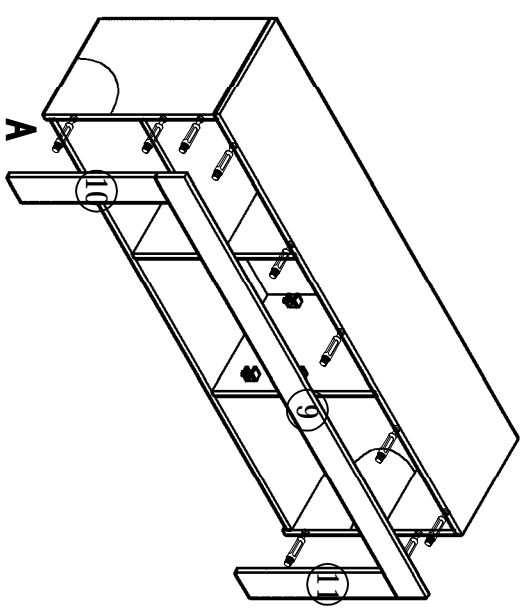
G*1 H*2 I*50 J*4

9



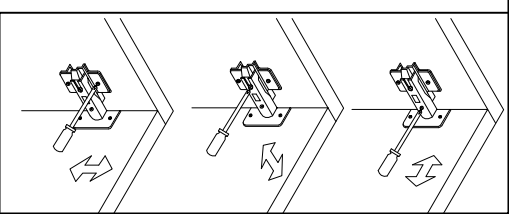
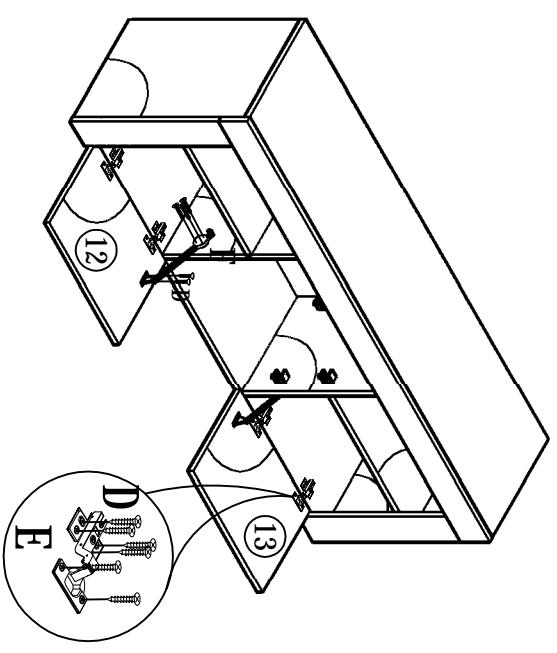
A*4 M*4

10



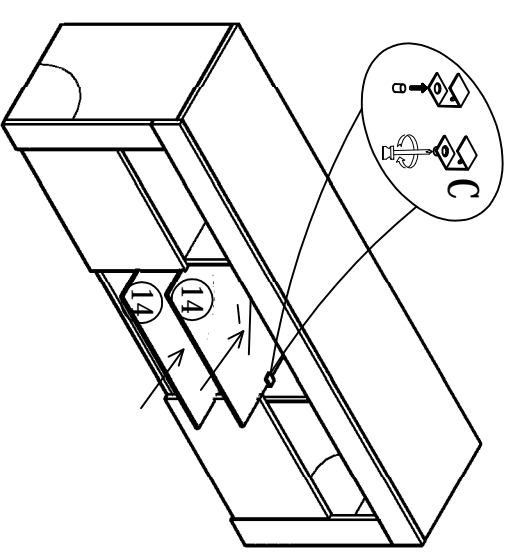
A*11 M*11

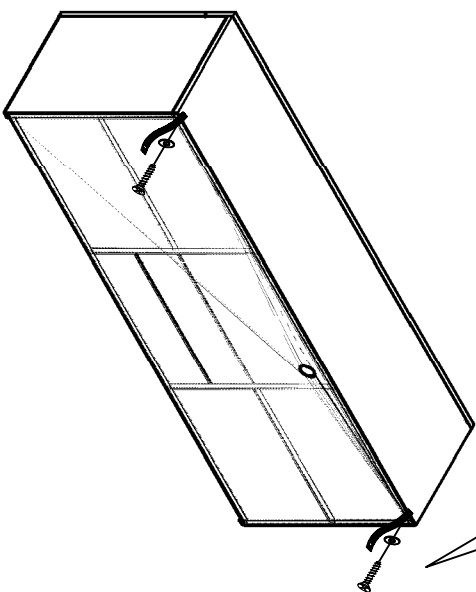
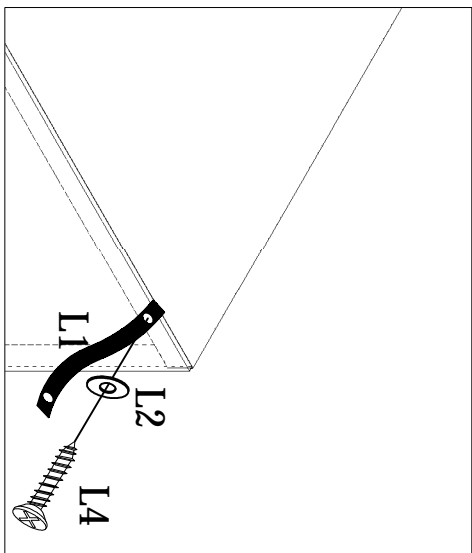
11



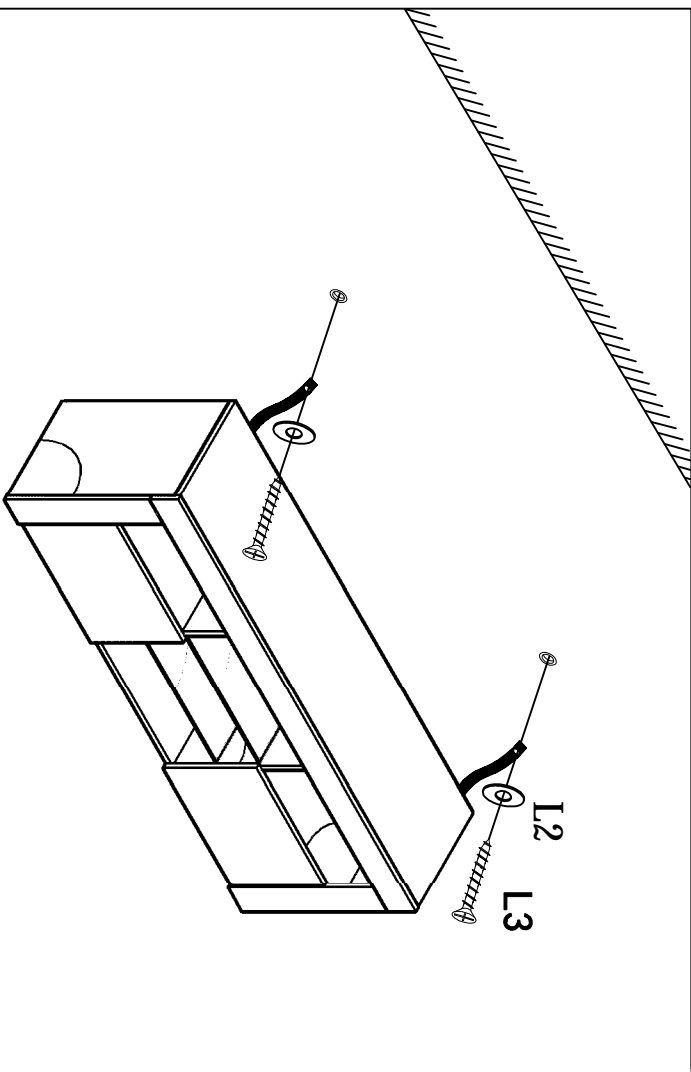
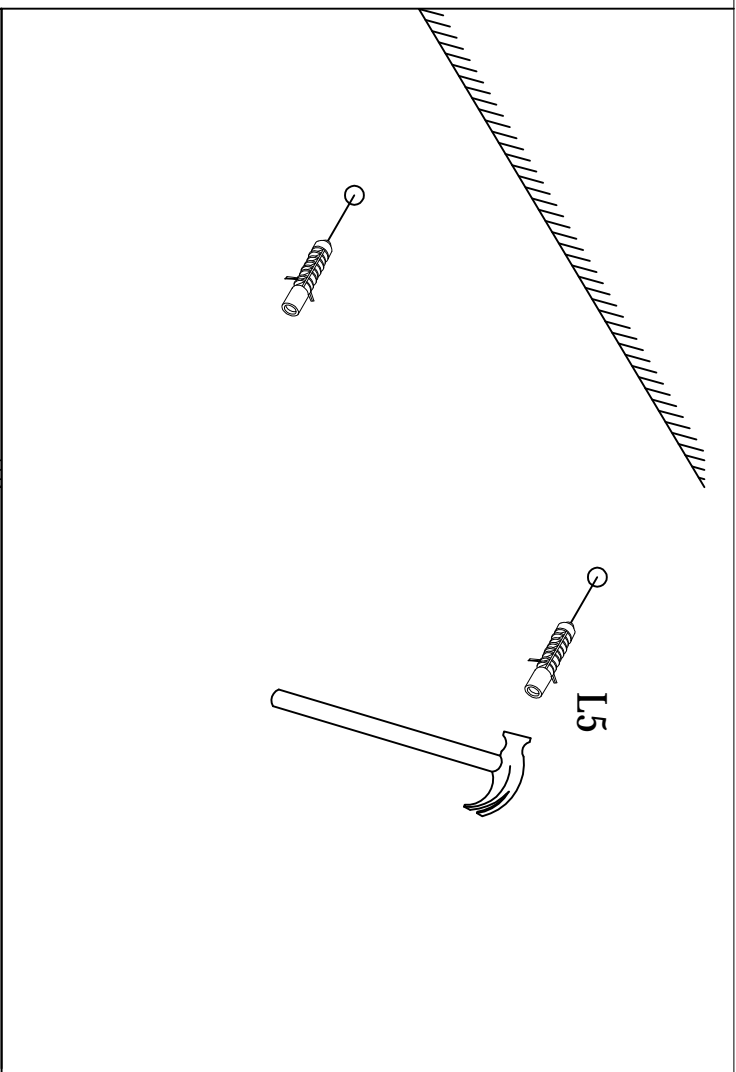
D*34 E*4 F*2

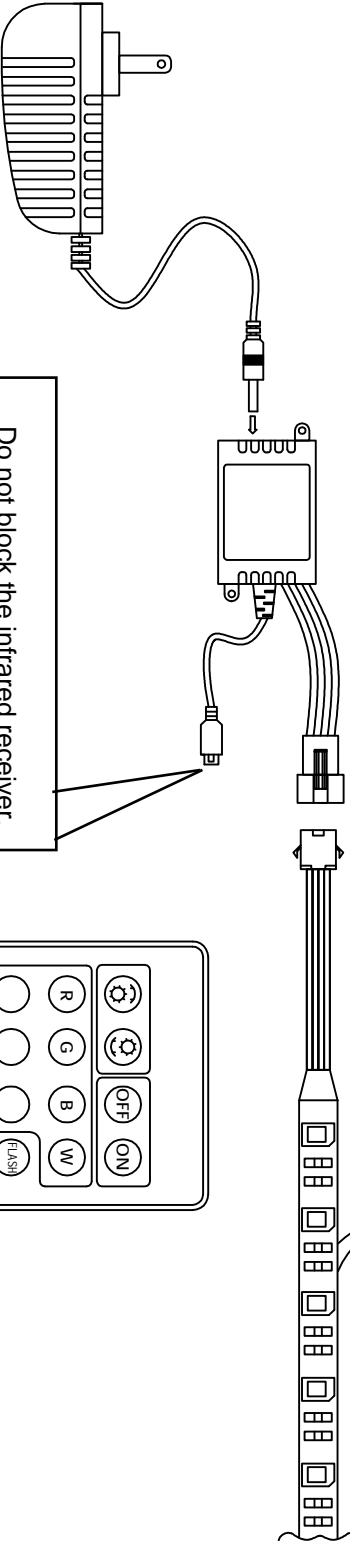
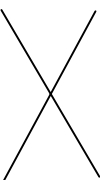
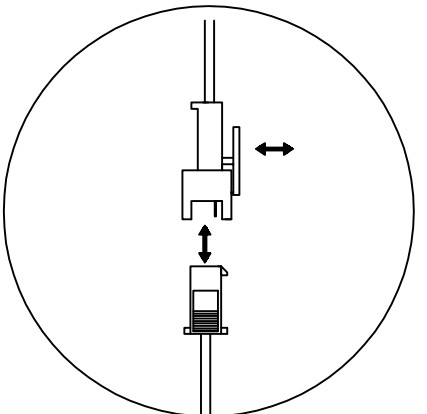
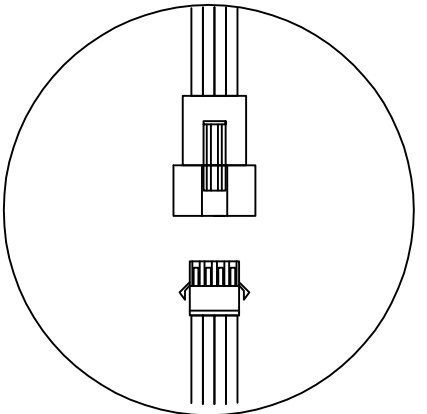
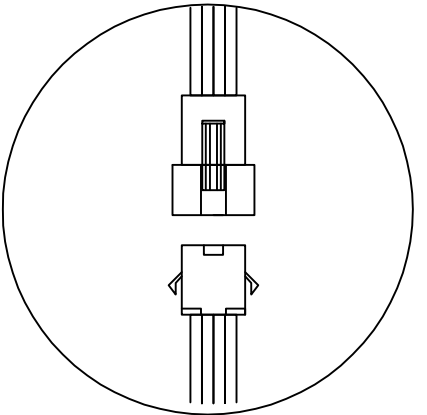
12



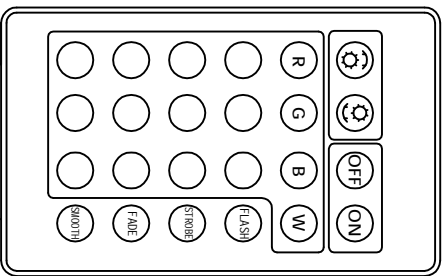


L*11





Do not block the infrared receiver,
and also align the infrared receiver
when operating.



Pull out the plastic sheet before use .