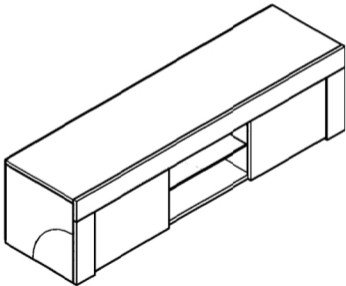
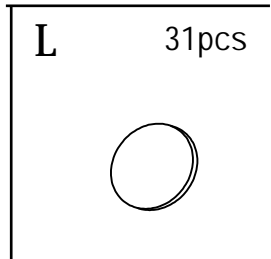
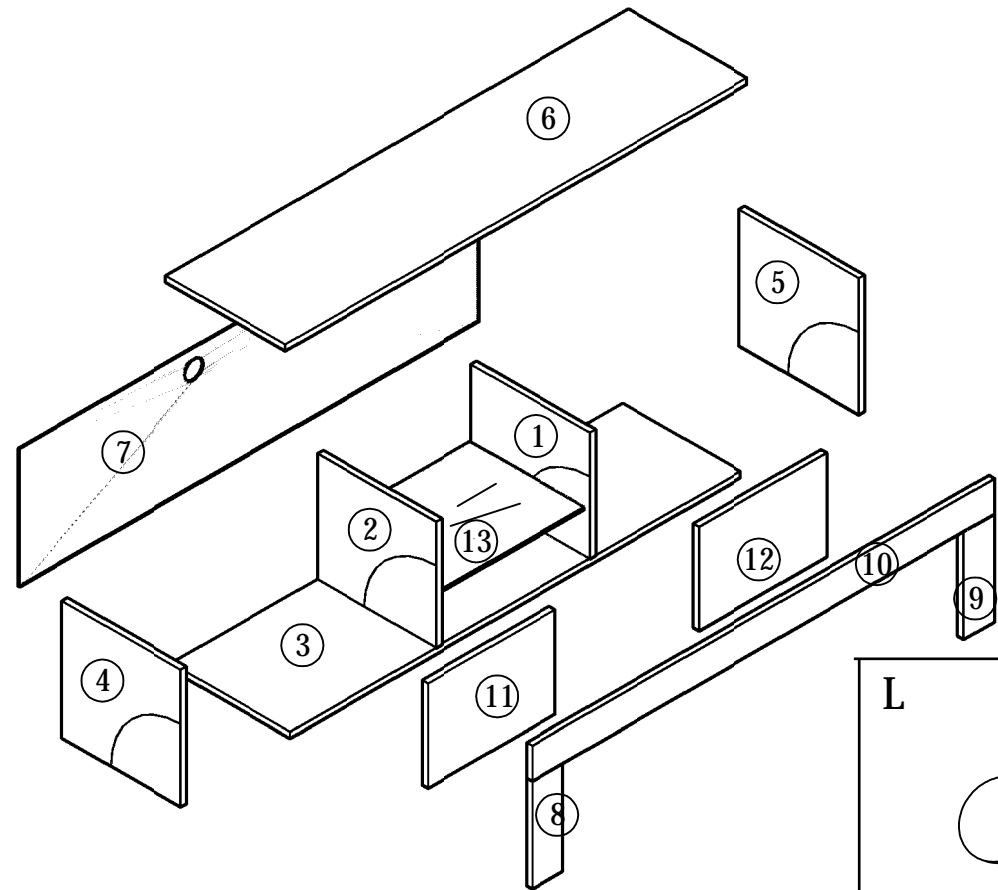
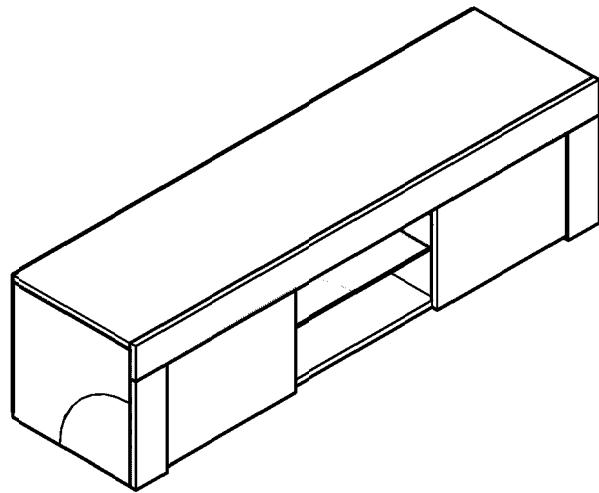
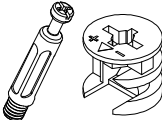
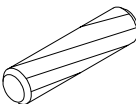
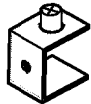
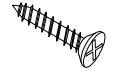
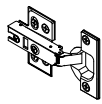

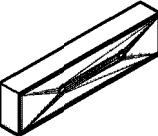
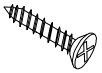
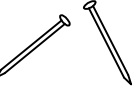
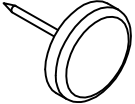
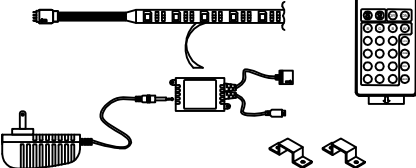


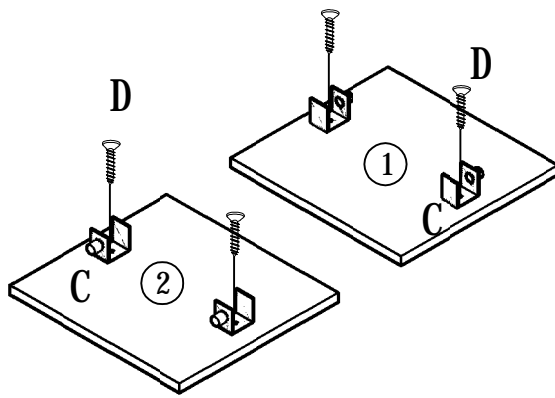
Code: 22005





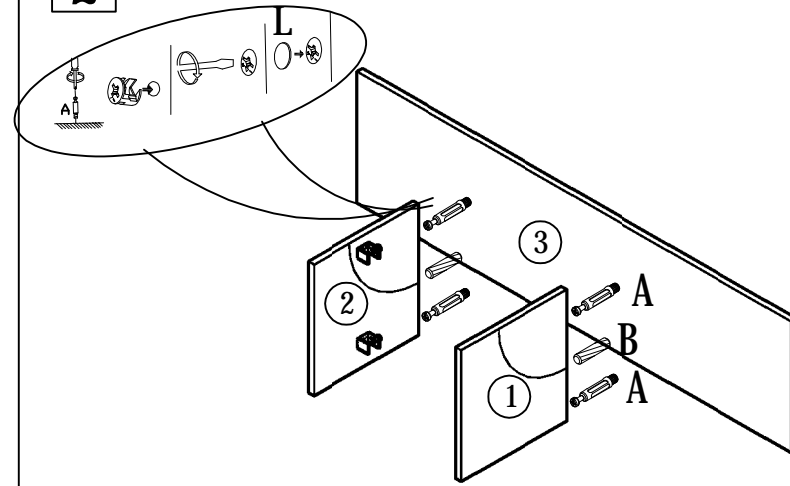
<p>A 31pcs</p> 	<p>B 8pcs</p> 	<p>C 4pcs</p> 	<p>D 42pcs</p>  <p>14*3.5MM</p>	<p>E 4pcs</p> 	<p>F 2pcs</p> 
<p>G 1pcs</p> 	<p>H 2pcs</p>  <p>20*3.5MM</p>	<p>I 40pcs</p> 	<p>J 4pcs</p> 	<p>K 1pcs</p> 	

1



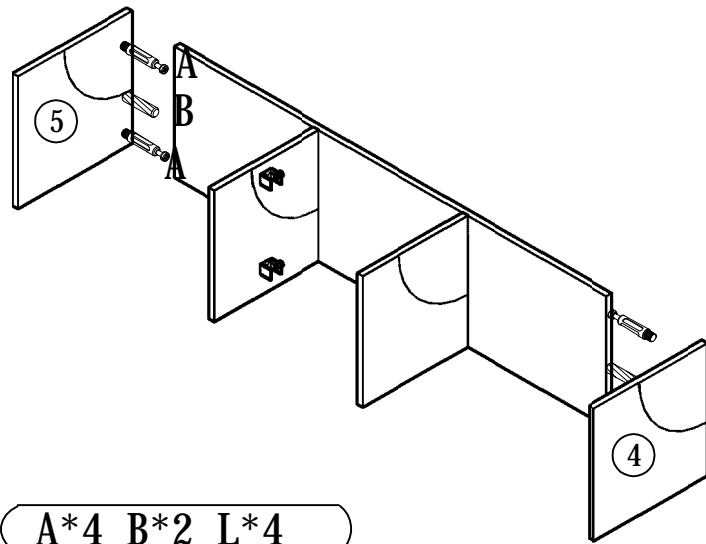
C*4 D*4

2



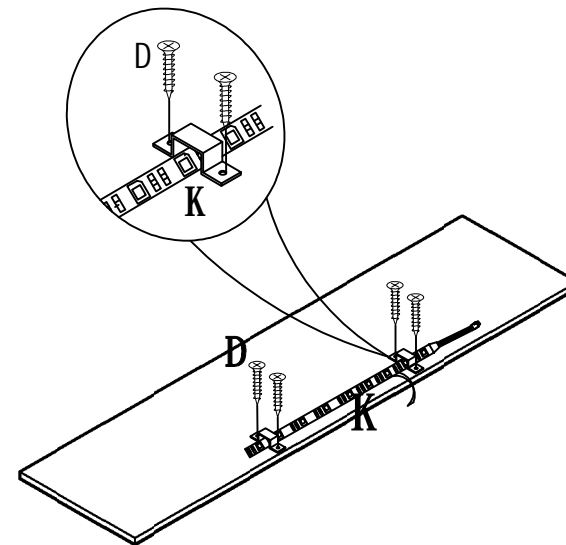
A*4 B*2 L*4

3



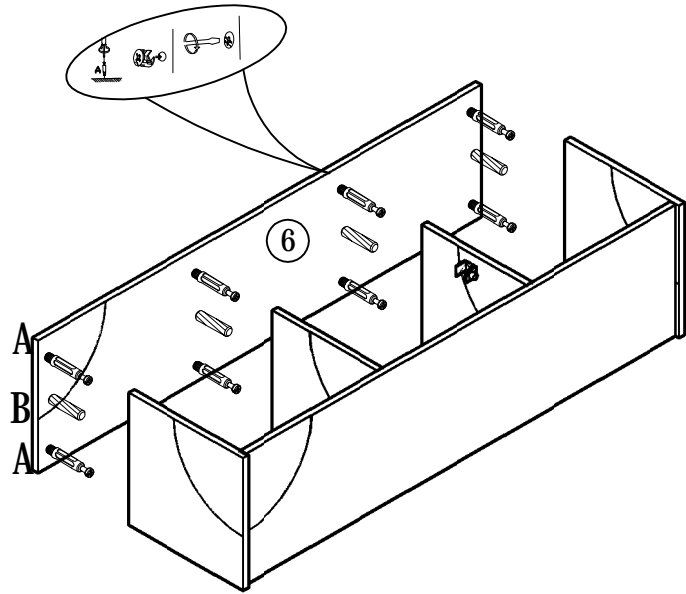
A*4 B*2 L*4

4



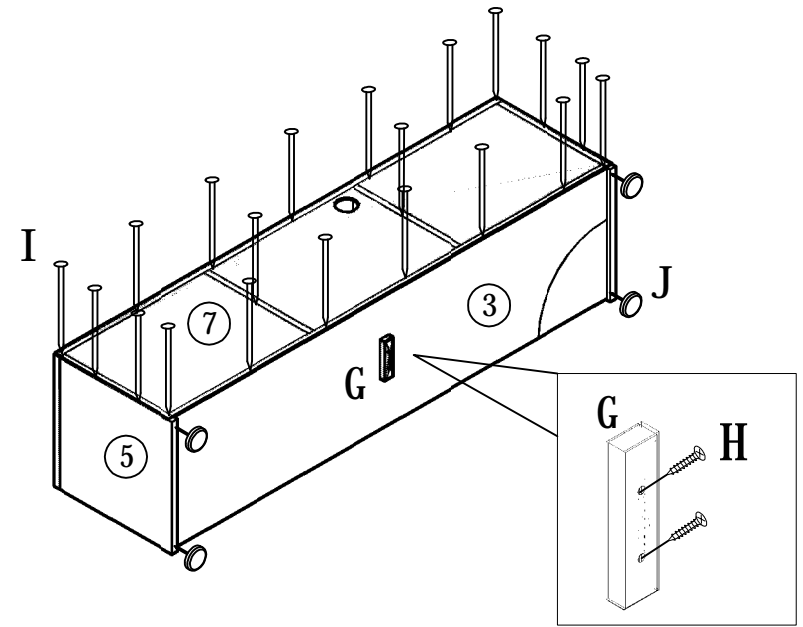
D*4 K*1

5



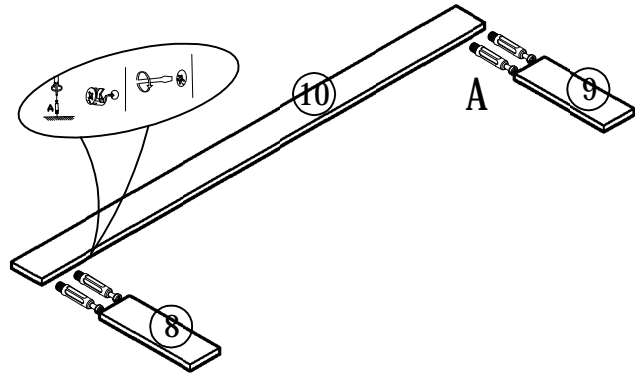
A*8 B*4 L*8

6



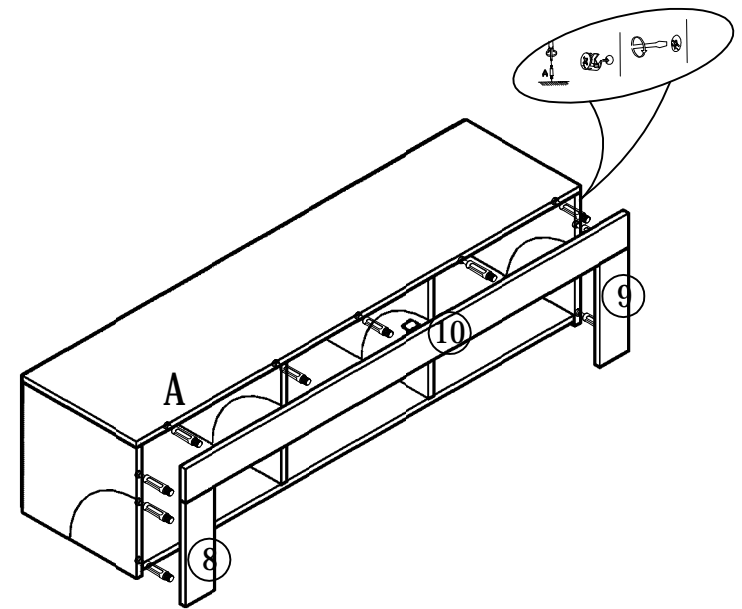
G*1 H*2 I*40 J*4

7



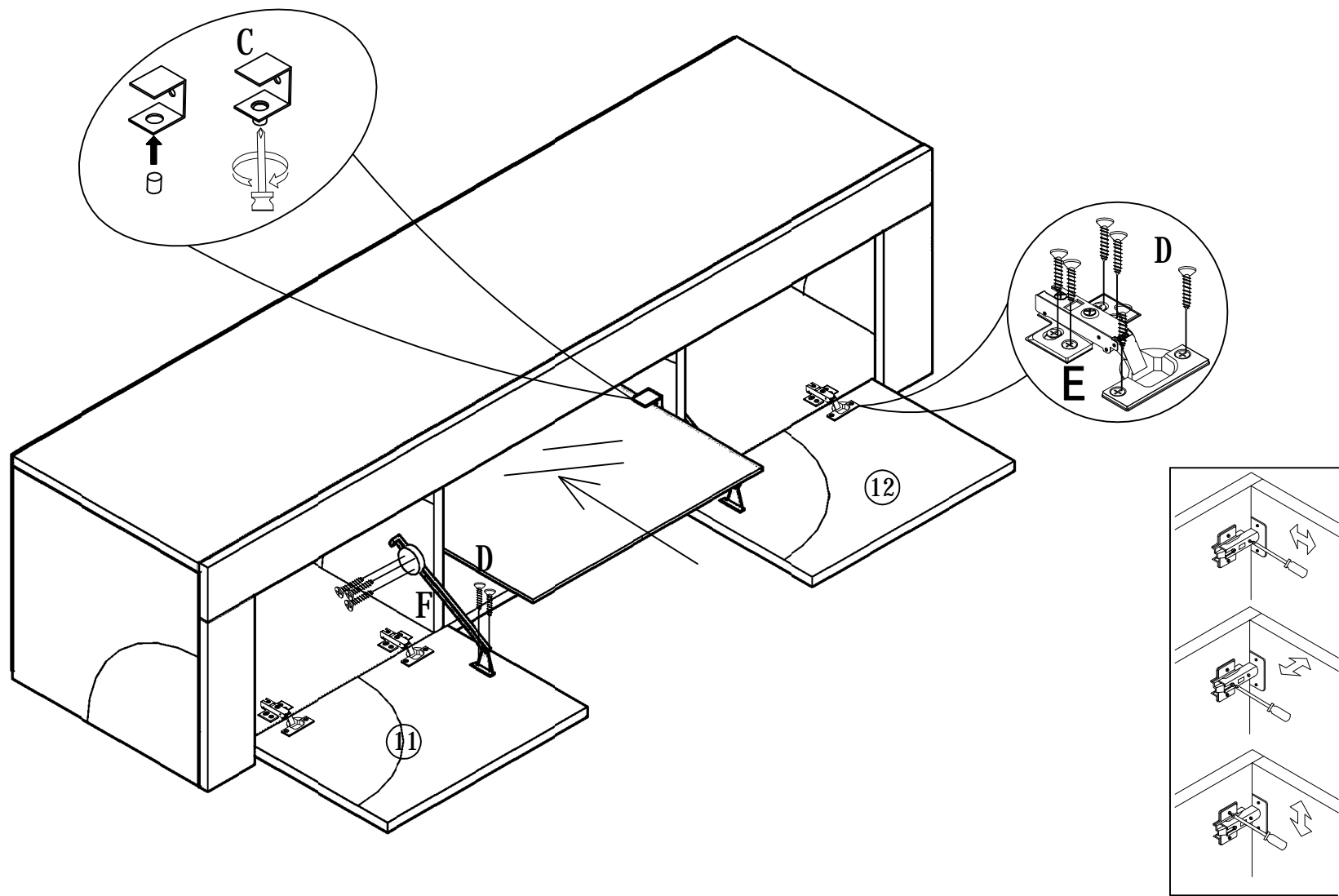
A*4 L*4

8

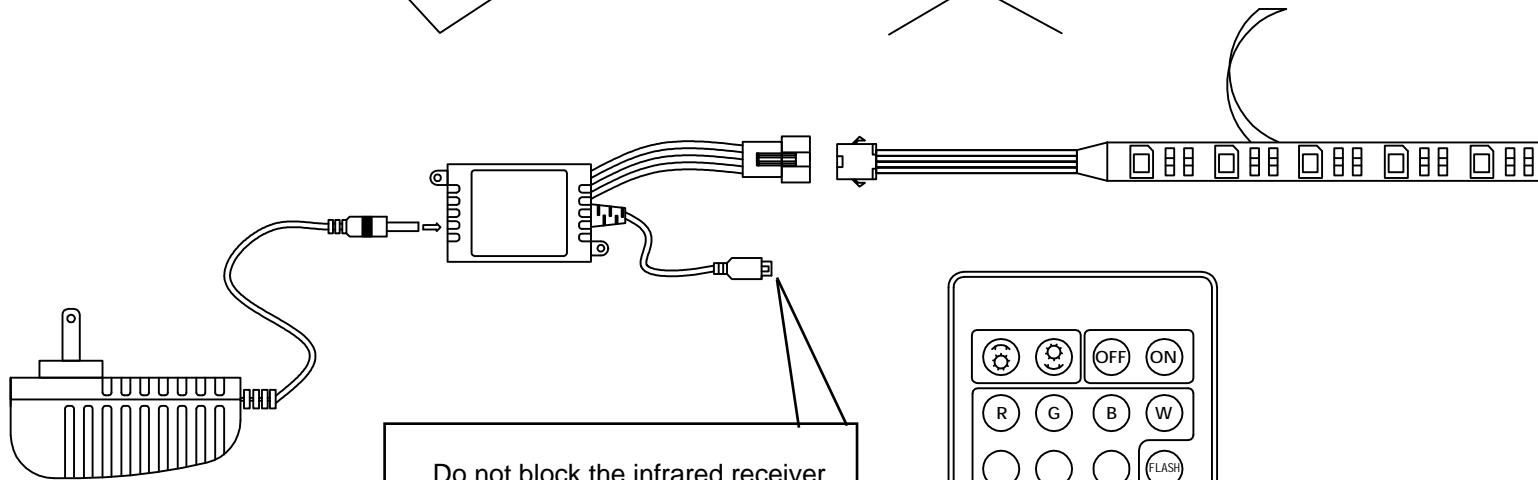
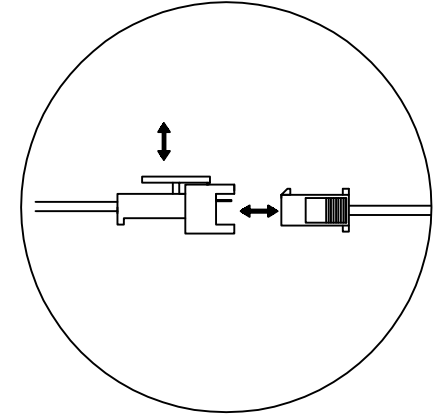
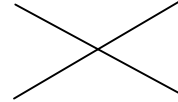
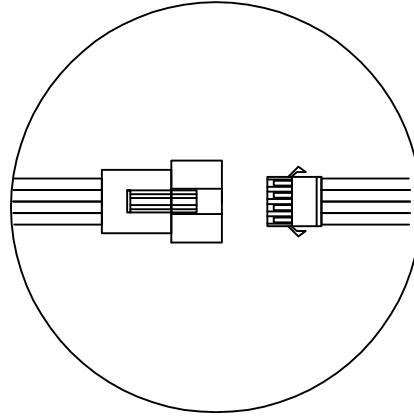
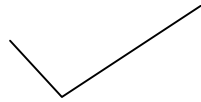
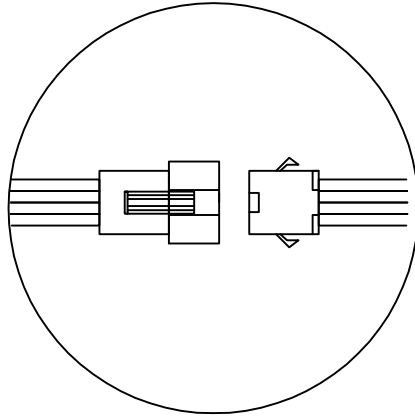


A*11 L*11

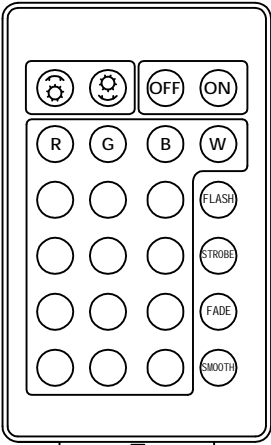
9



D*34 E*4 F*2



Do not block the infrared receiver,
and also align the infrared receiver
when operating.



Pull out the plastic sheet before use .