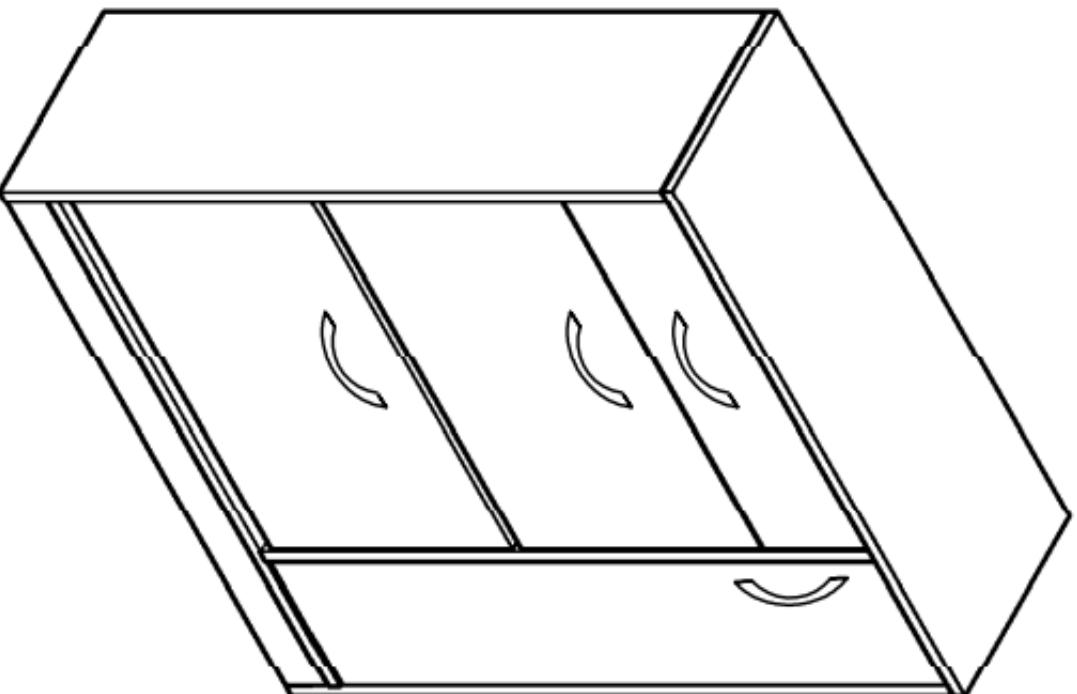
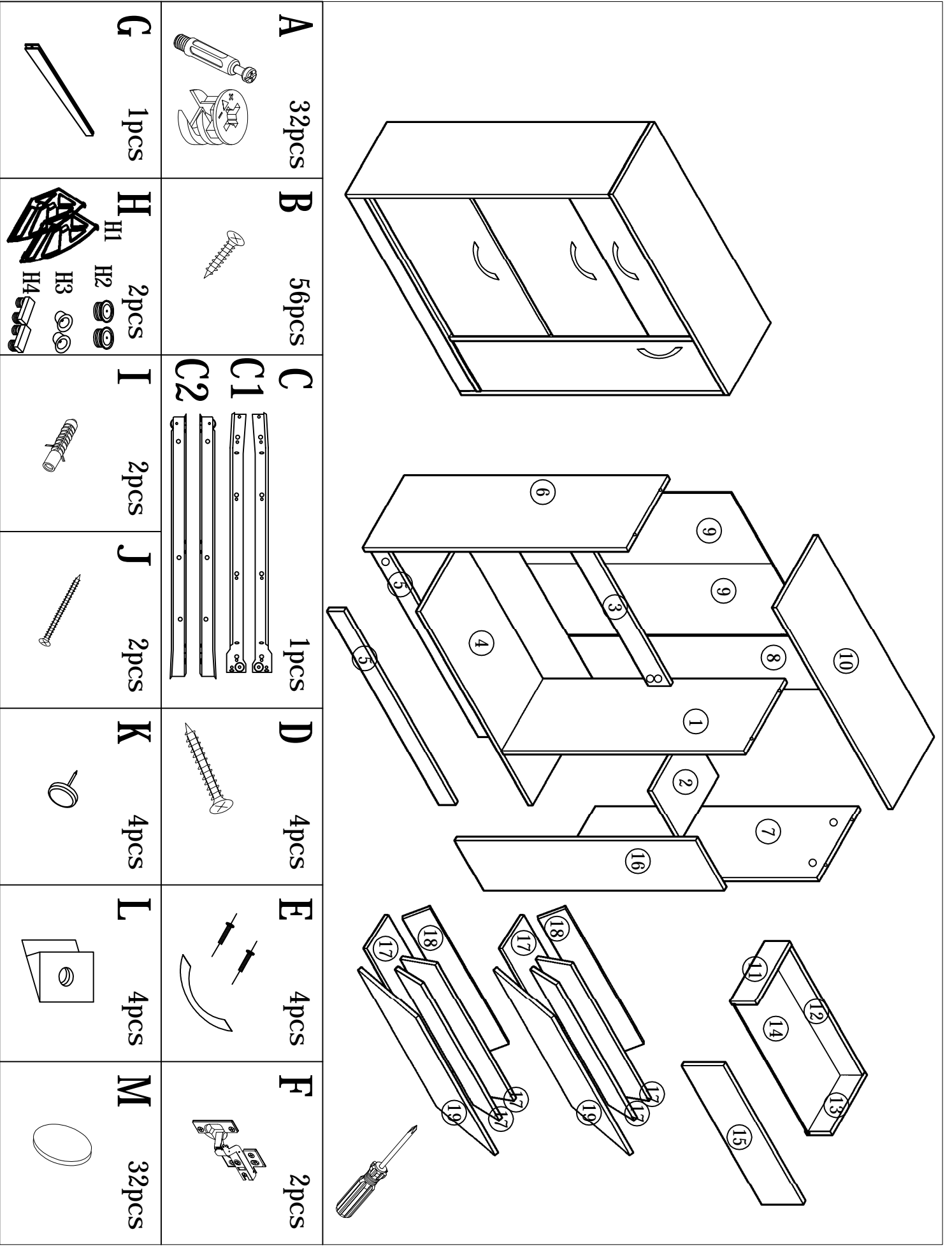


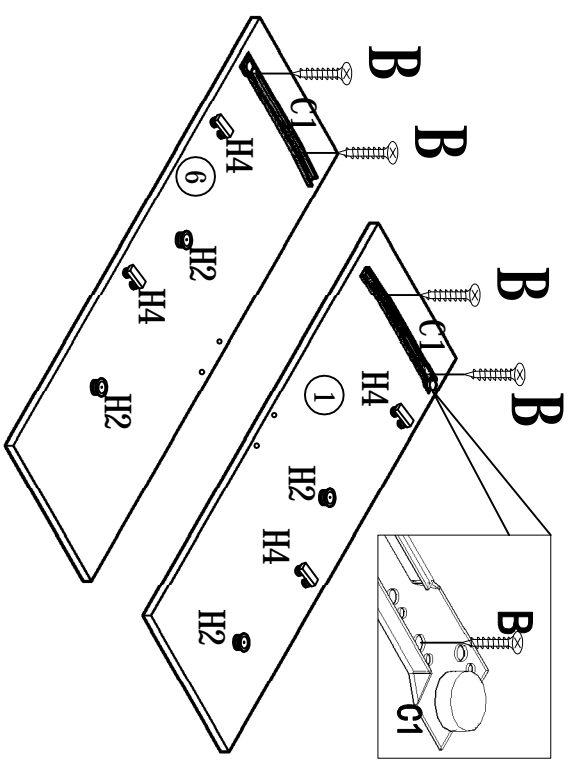
Code : 21983 & 21984



⚠ Warning Warning - Any furniture that is not anchored to a wall has the potential to tip over in certain circumstances, ie if a child attempts to climb up on the furniture or in the event of an earthquake. Accordingly, we recommend that all furniture is anchored to a wall. We supply a free safety wall anchor with all furniture sold and we recommend these are used to prevent your product tipping. See our blog here for more info on using wall anchors.

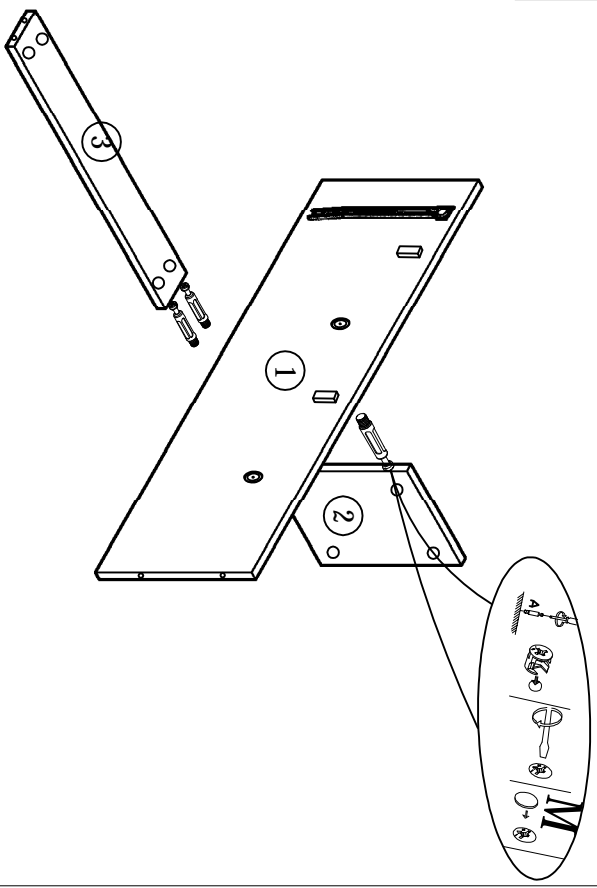


1



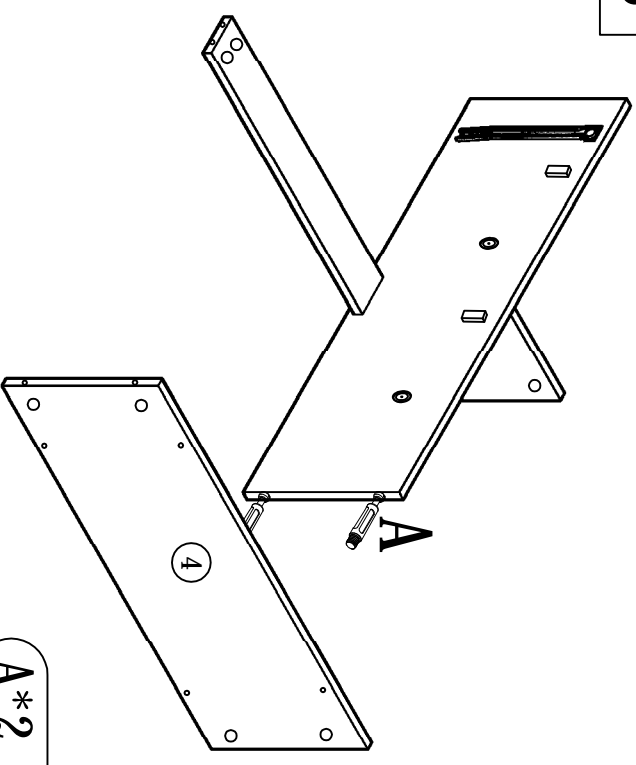
B*4 C1*2 H2*4 H4*4

2



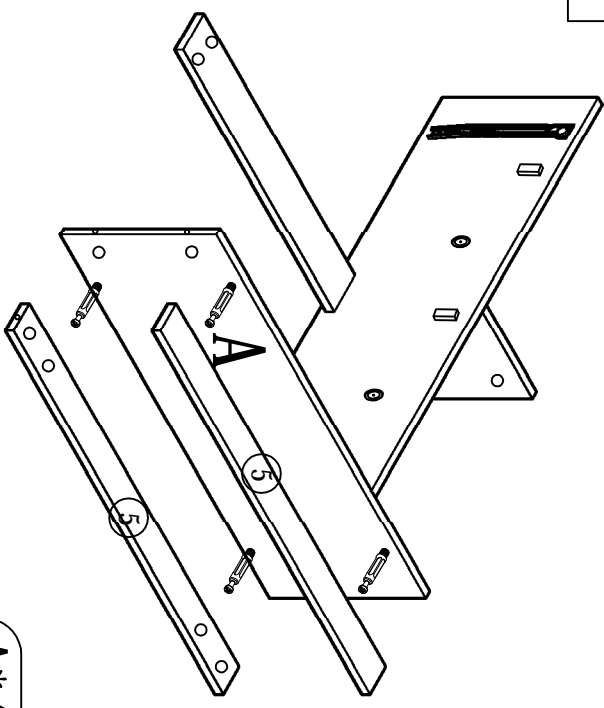
A*4 M*4

3



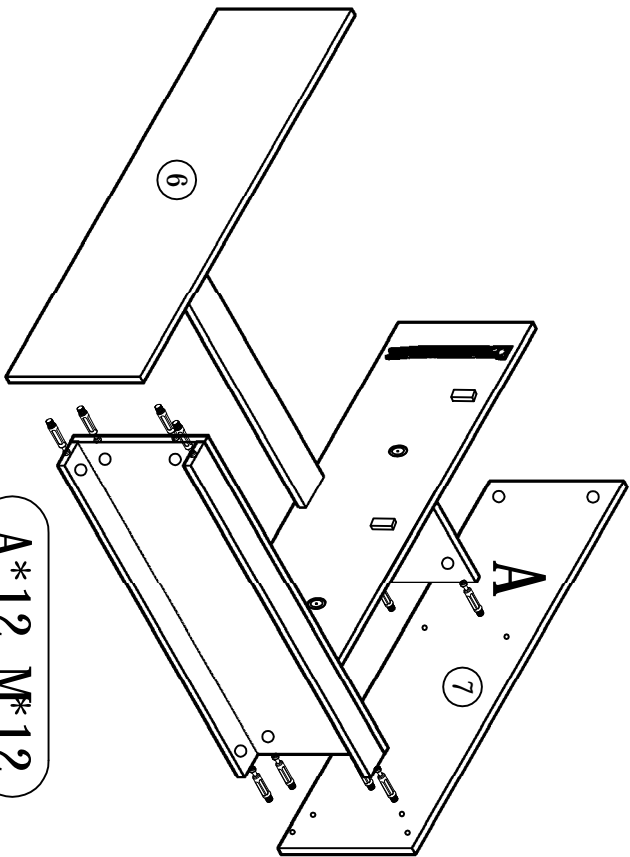
A*2 M*2

4



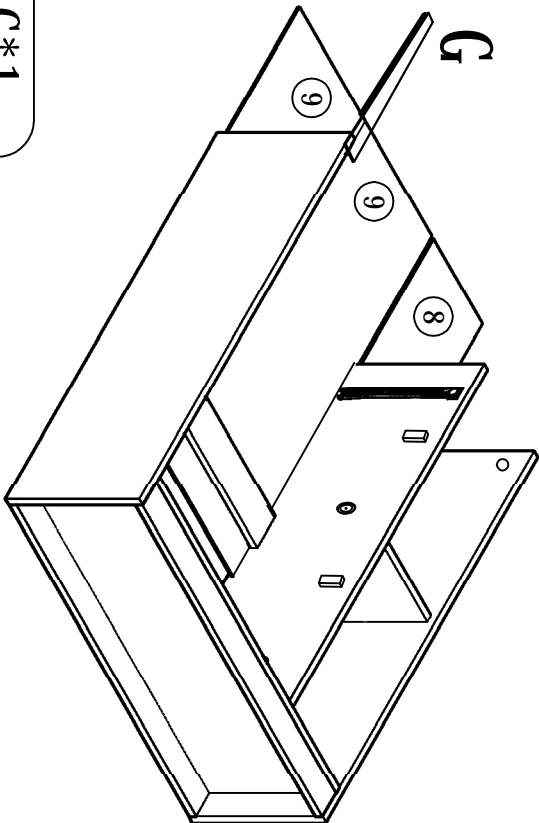
A*4 M*4

5



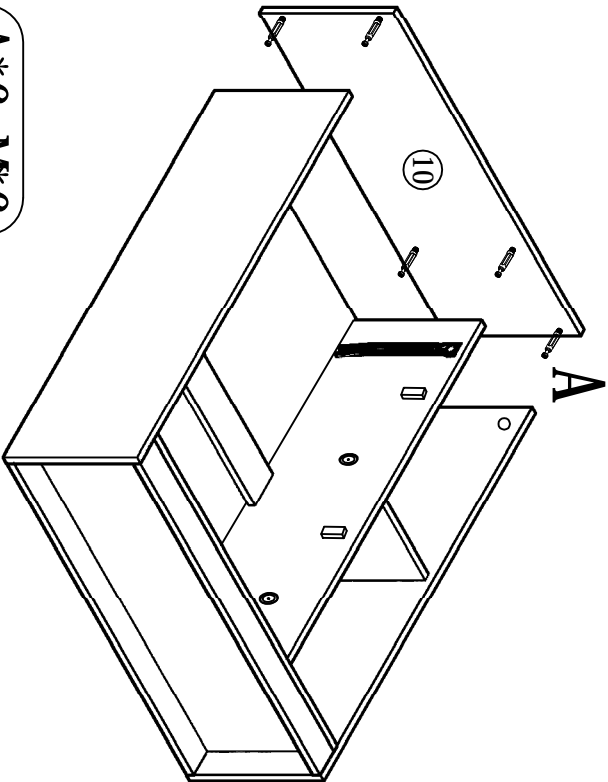
A*12 M*12

6



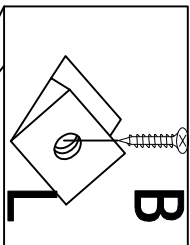
G*1

7

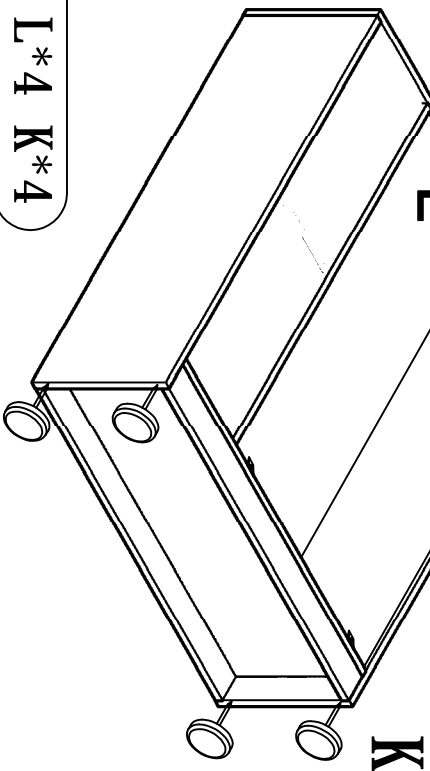


A*6 M*6

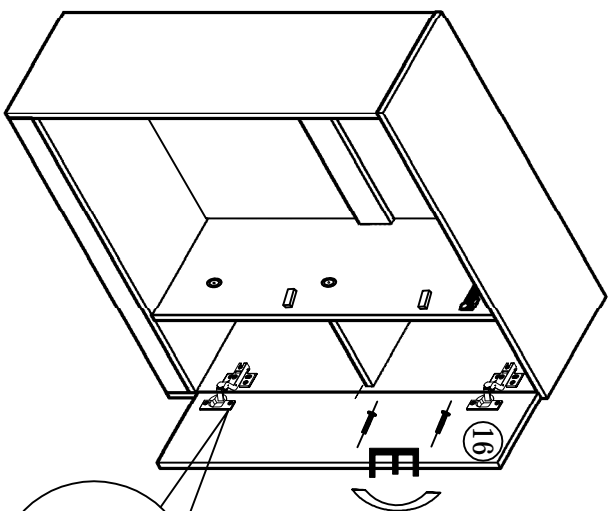
8



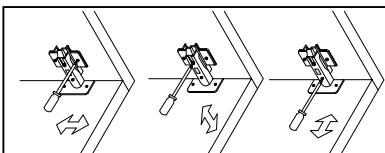
B*4 L*4 K*4



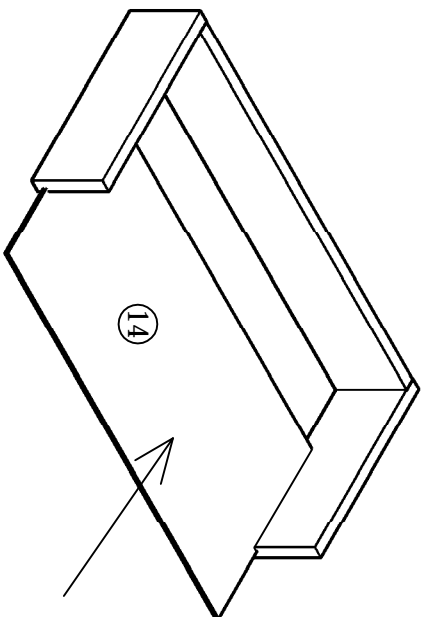
9



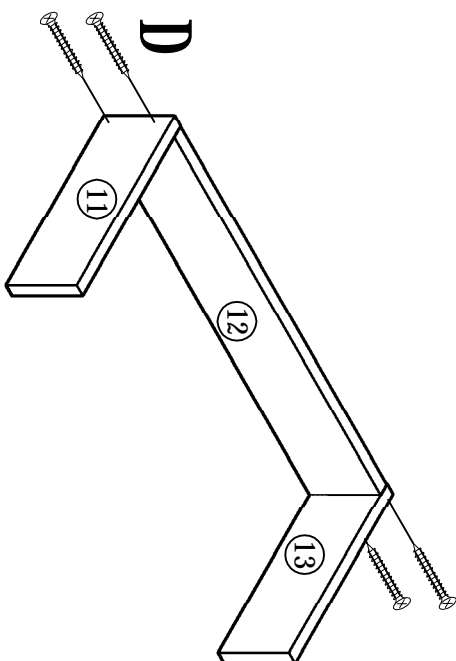
B*12 E*1 F*2



11

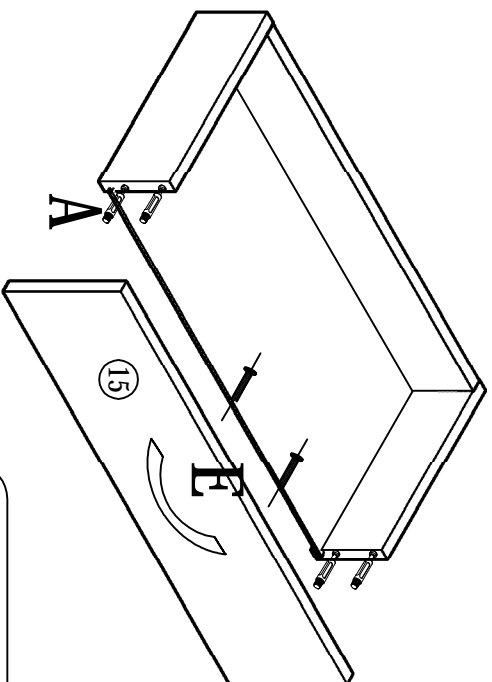


10



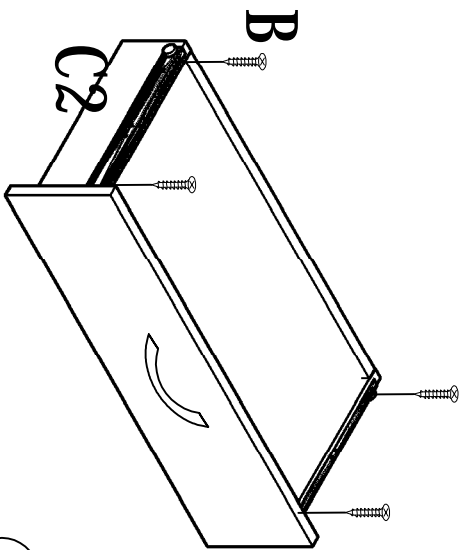
D*1

12



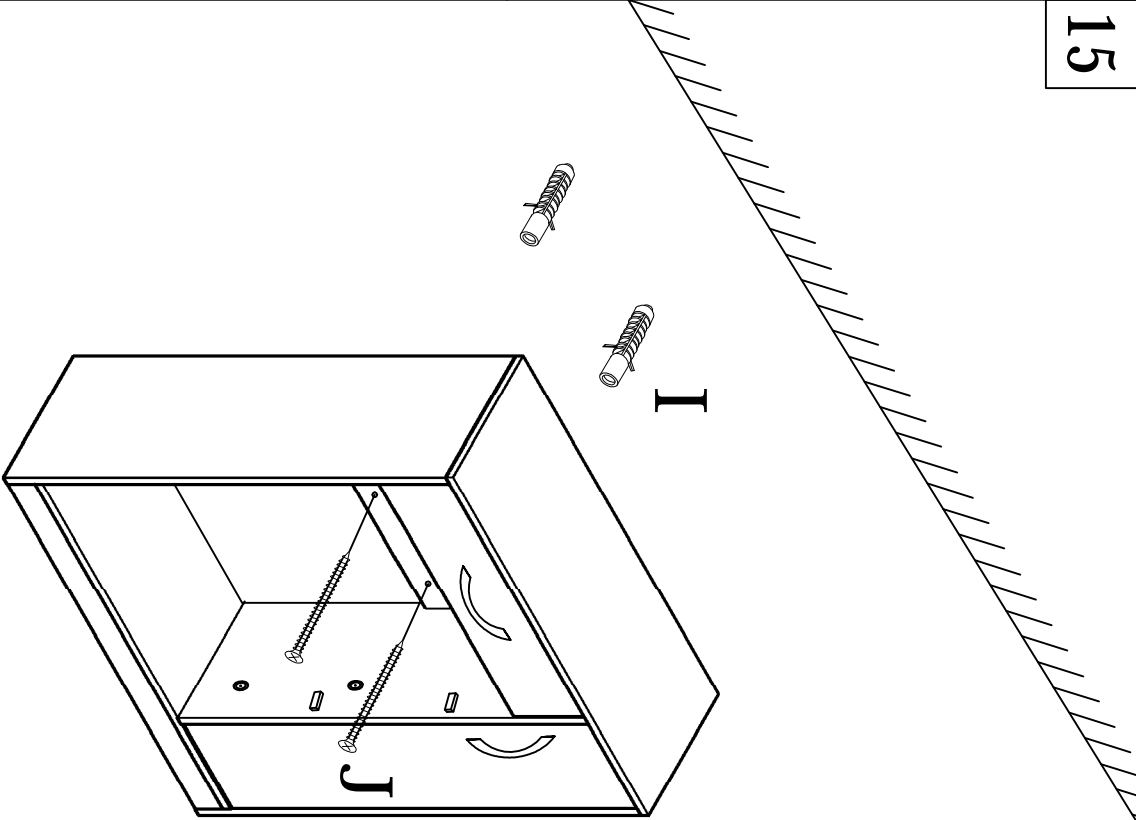
A*4 E*1 M*4

13



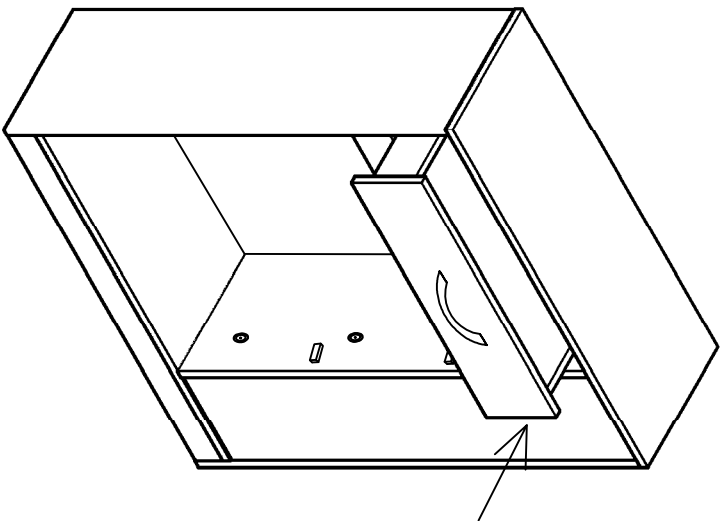
B*4 C2*2

15

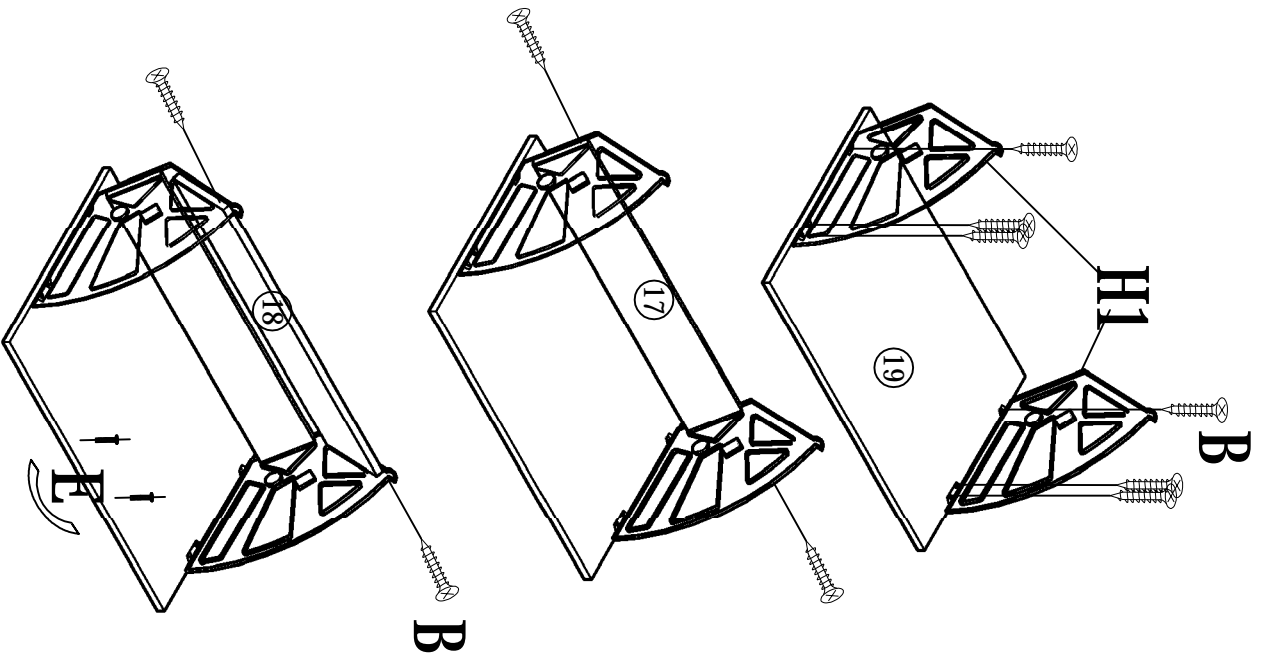


I*2 J*2

14



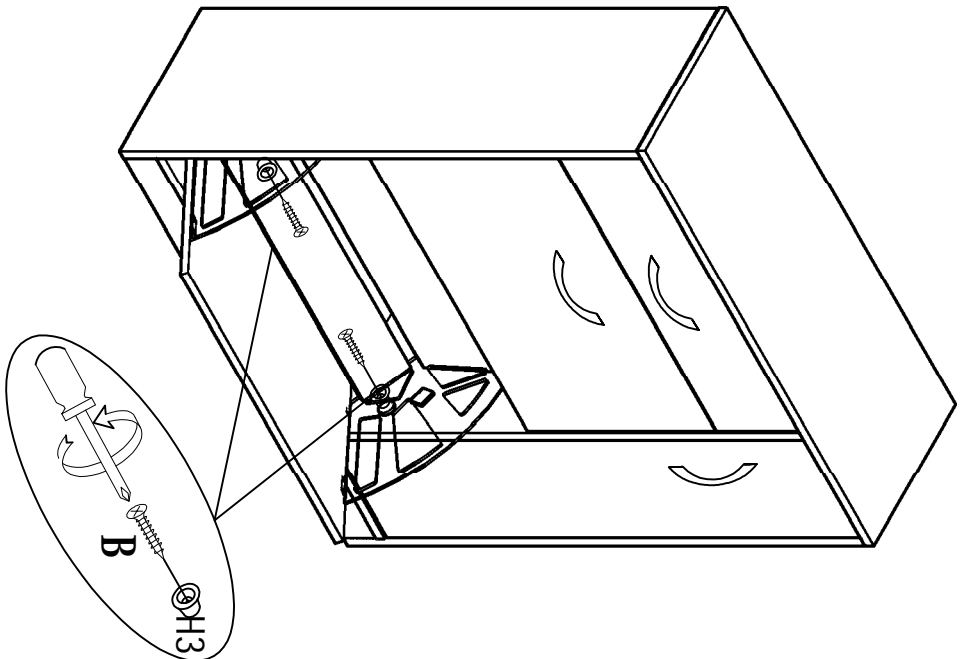
16



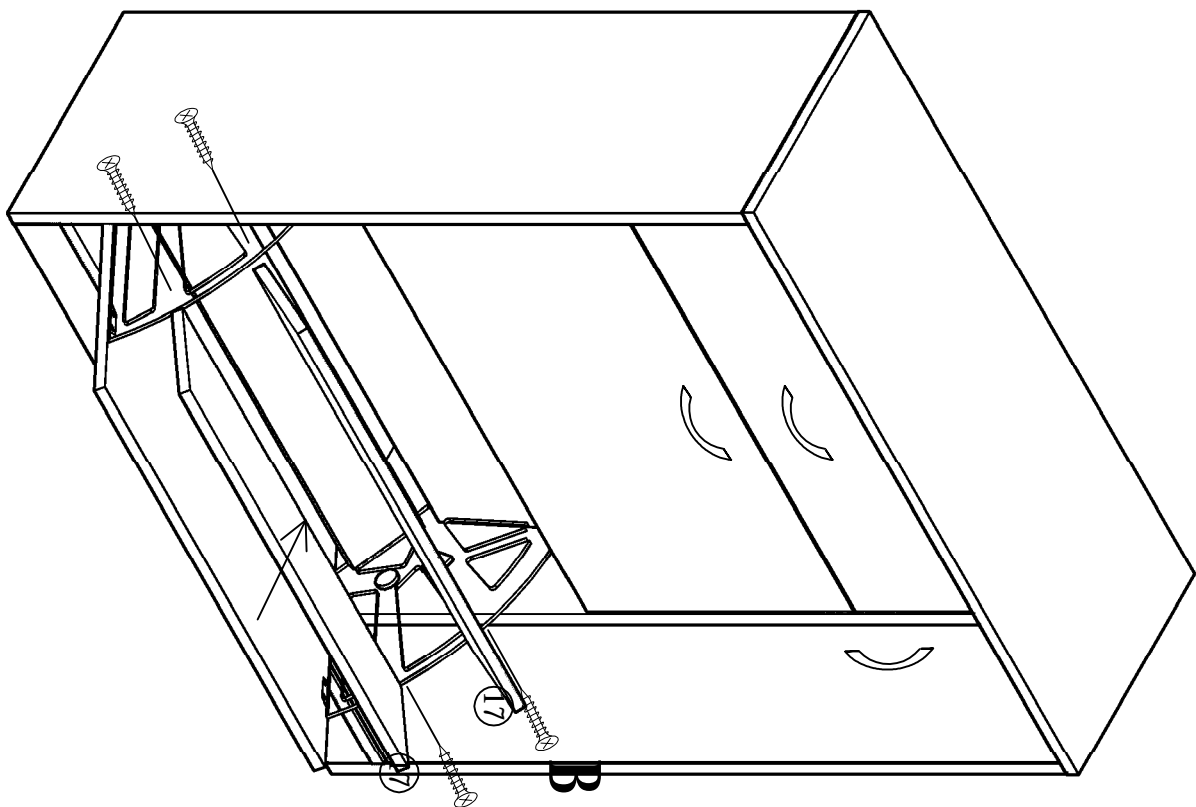
B*10 E*1 H1*1

X2

17



B*4 H3*4



B*8