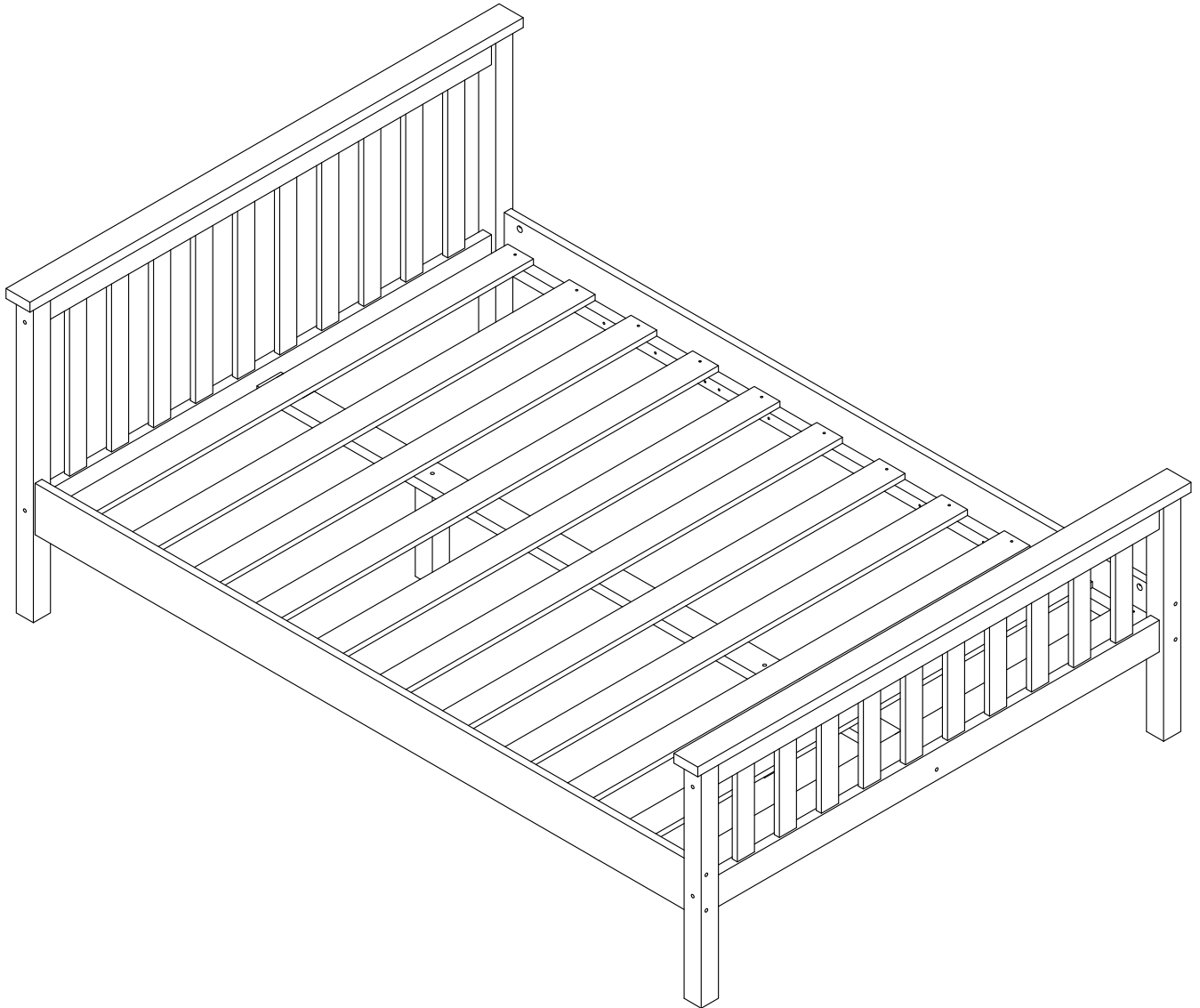


Bed

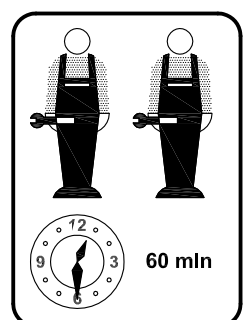
REF:21484



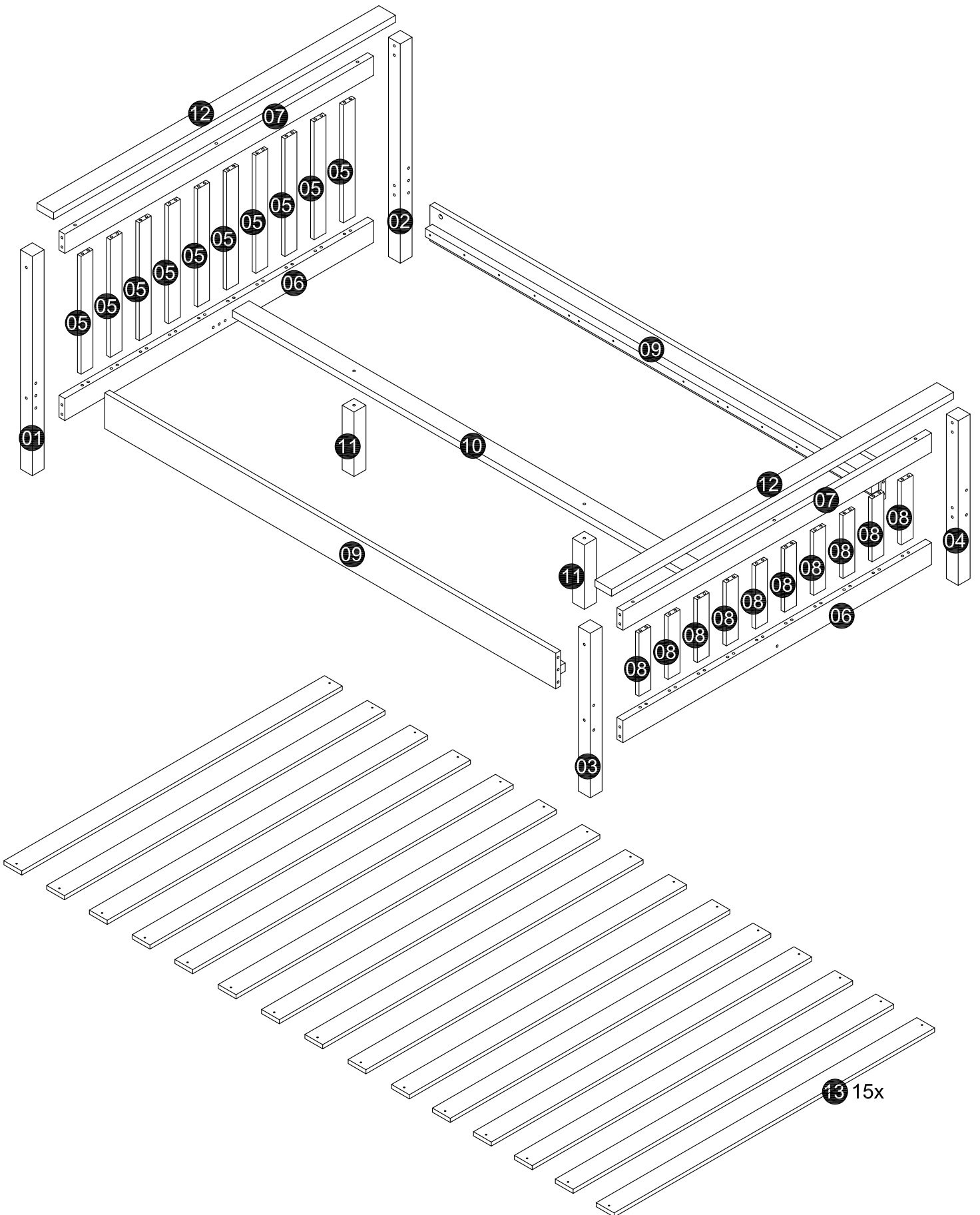
READ THE ASSEMBLY INSTRUCTIONS CAREFULLY. IDENTIFY THE ELEMENTS CONSTITUING YOUR PIECE OF FURNITURE. GROUP AND CHECK THE HARDWARE FITTINGS. GET THE TOOLS NEEDED. CLEAR SPACE TO WORK. PROCEED TO ASSEMBLE

NEVER FORCE THE FITTINGS. TIGHTEN THE SCREW AFTER USING FOR SOMETIME. KEEP YOUR ASSEMBLY INSTRUCTIONS, IT COULD HELP FOR BETTER COMMUNICATION WITH YOUR STORE. IN THE EVENT OF QUERY.

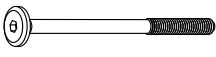

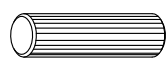
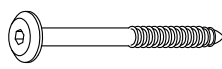

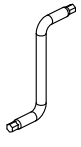


Date:05-24-2017



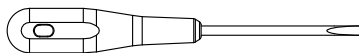
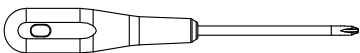
EXPLODED VIEW



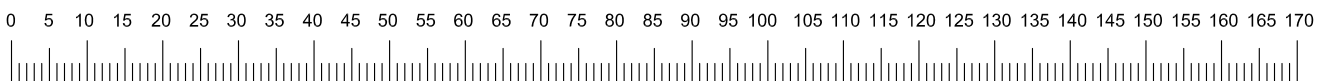
HARDWARE

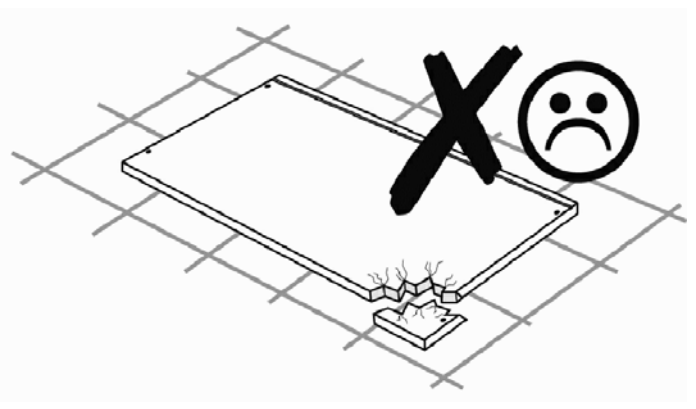
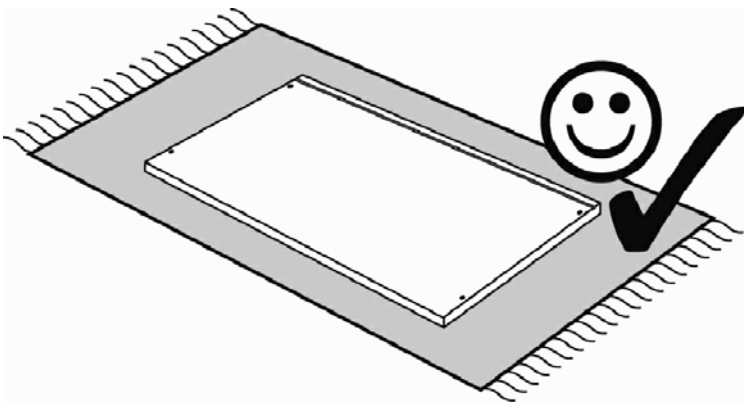
<p>A x8</p>  <p>M6 x90mm</p>	<p>B x8</p> 	<p>C x96</p>  <p>Ø8 x30mm</p>	<p>D x8</p>  <p>Ø6 x70mm</p>	<p>E x6</p>  <p>M6 x70mm</p>
<p>F x1</p> 	<p>G x30</p>  <p>Ø4 x30mm</p>	<p>H x4</p>  <p>Ø7 x60mm</p>		

TOOLS

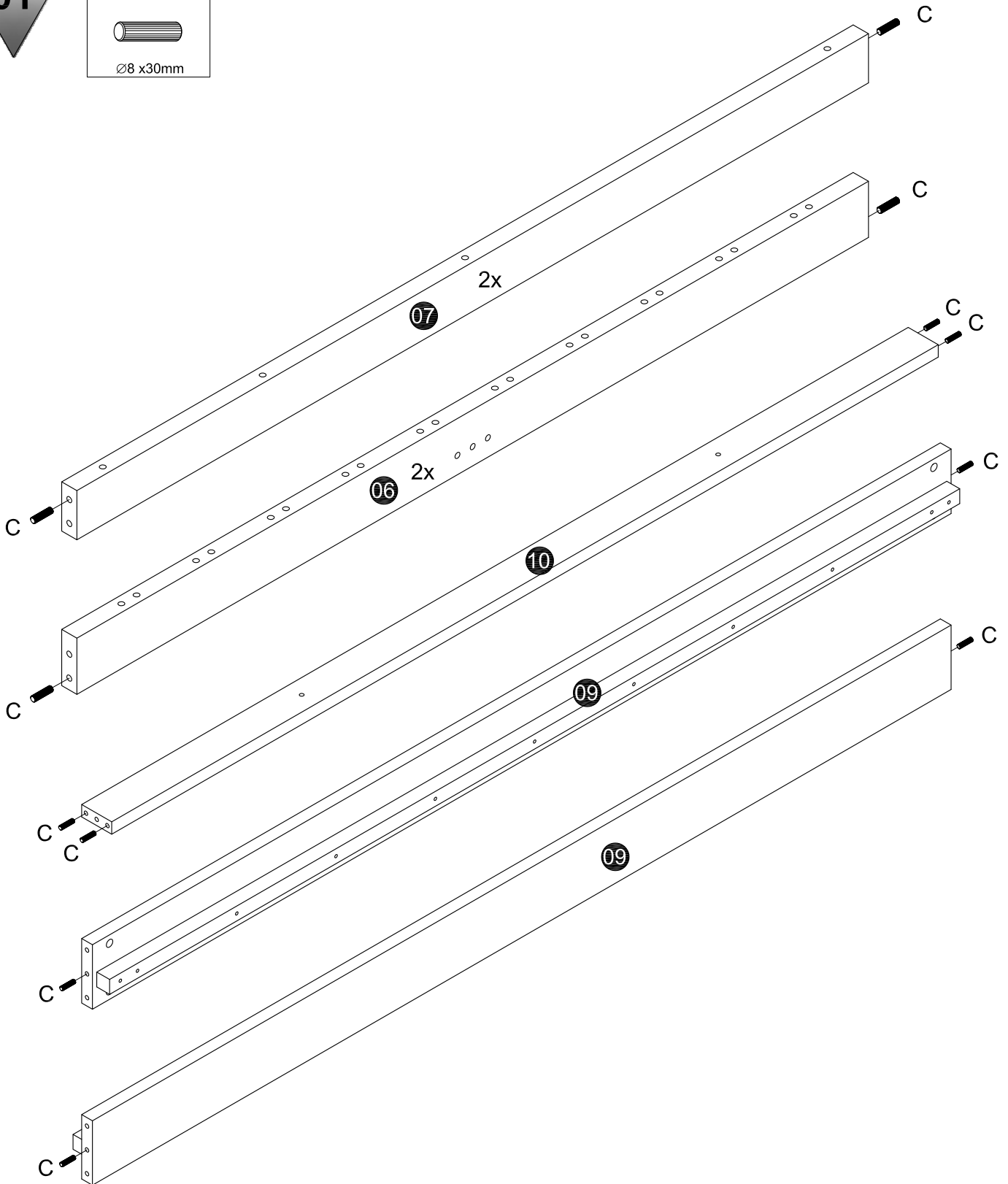
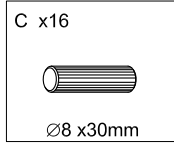


Ruler - Use this ruler to help correctly identify the screws





01

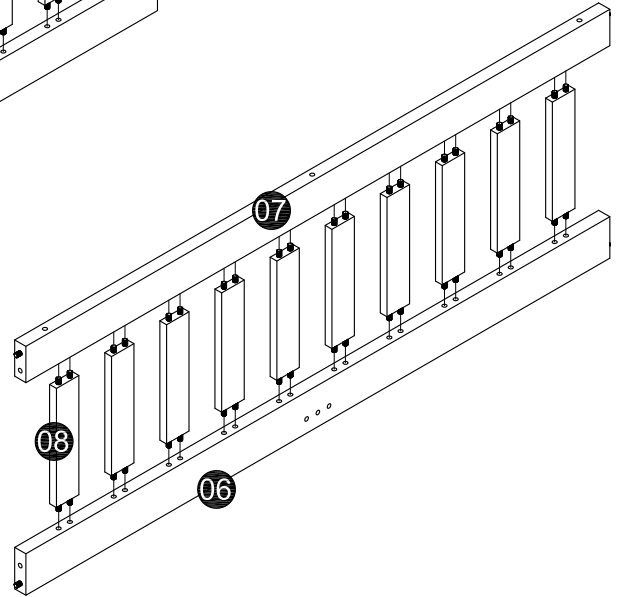
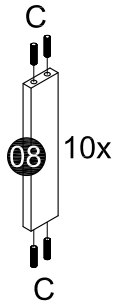
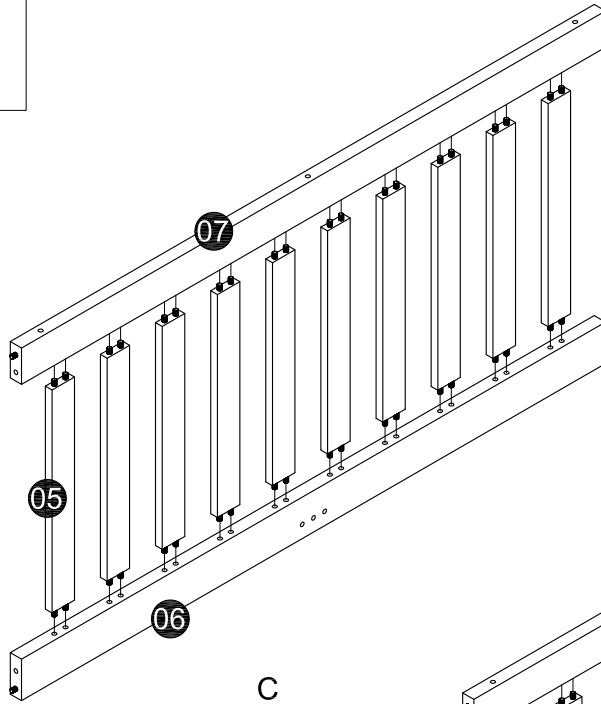
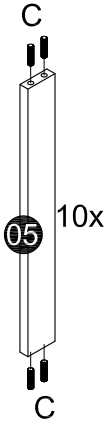


02

C x80



Ø8 x30mm



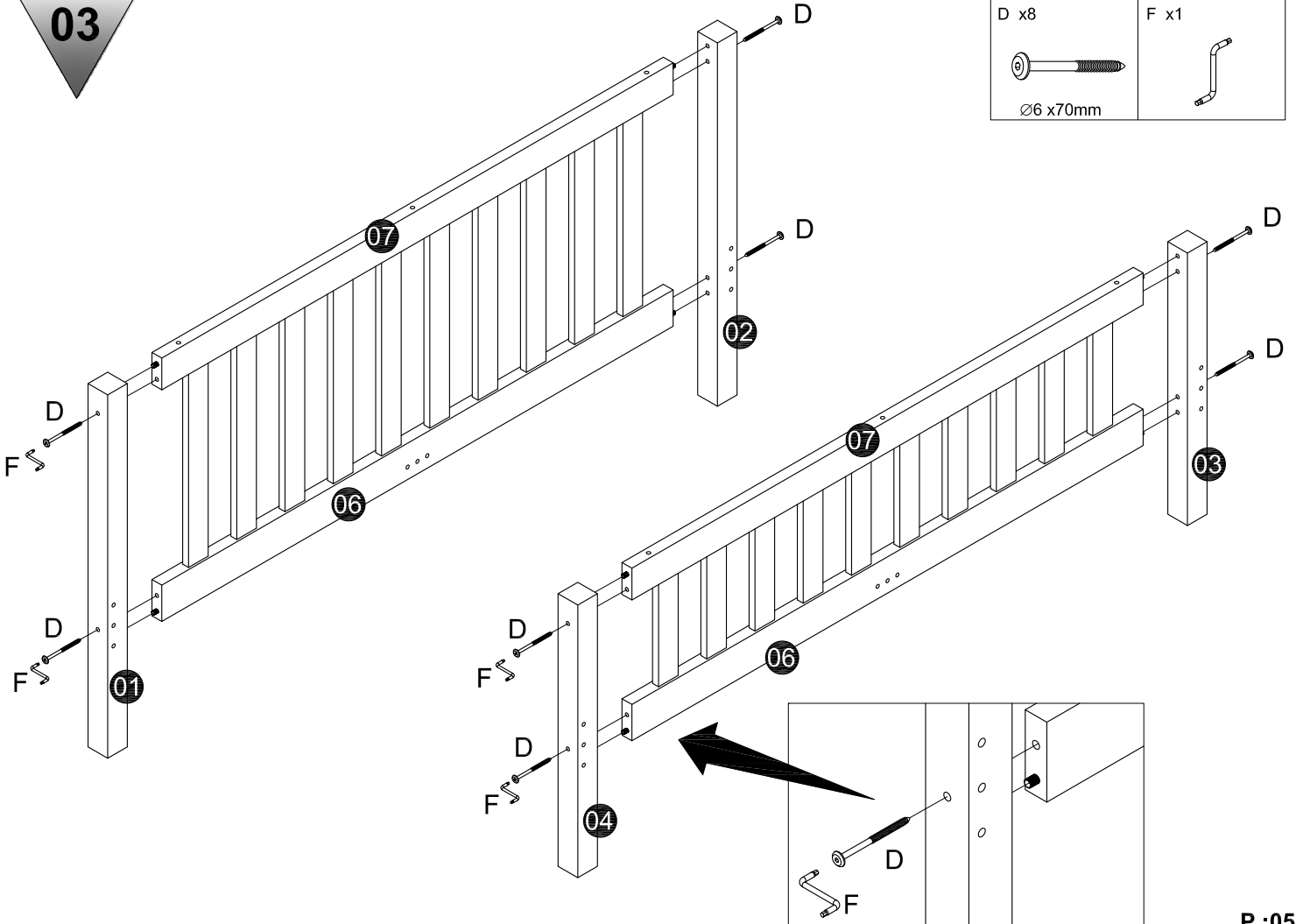
03

D x8

F x1



Ø6 x70mm



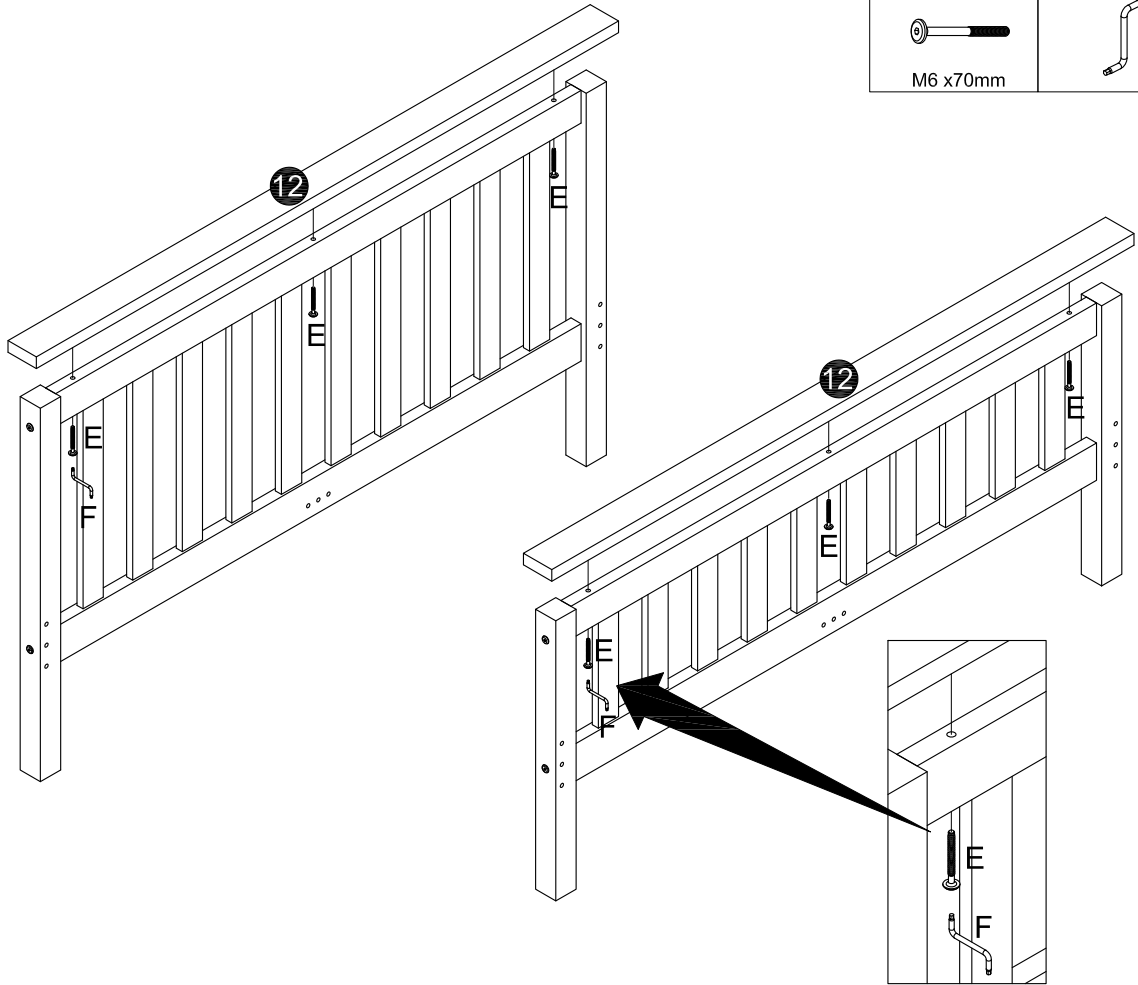
04

E x6

F x1



M6 x70mm



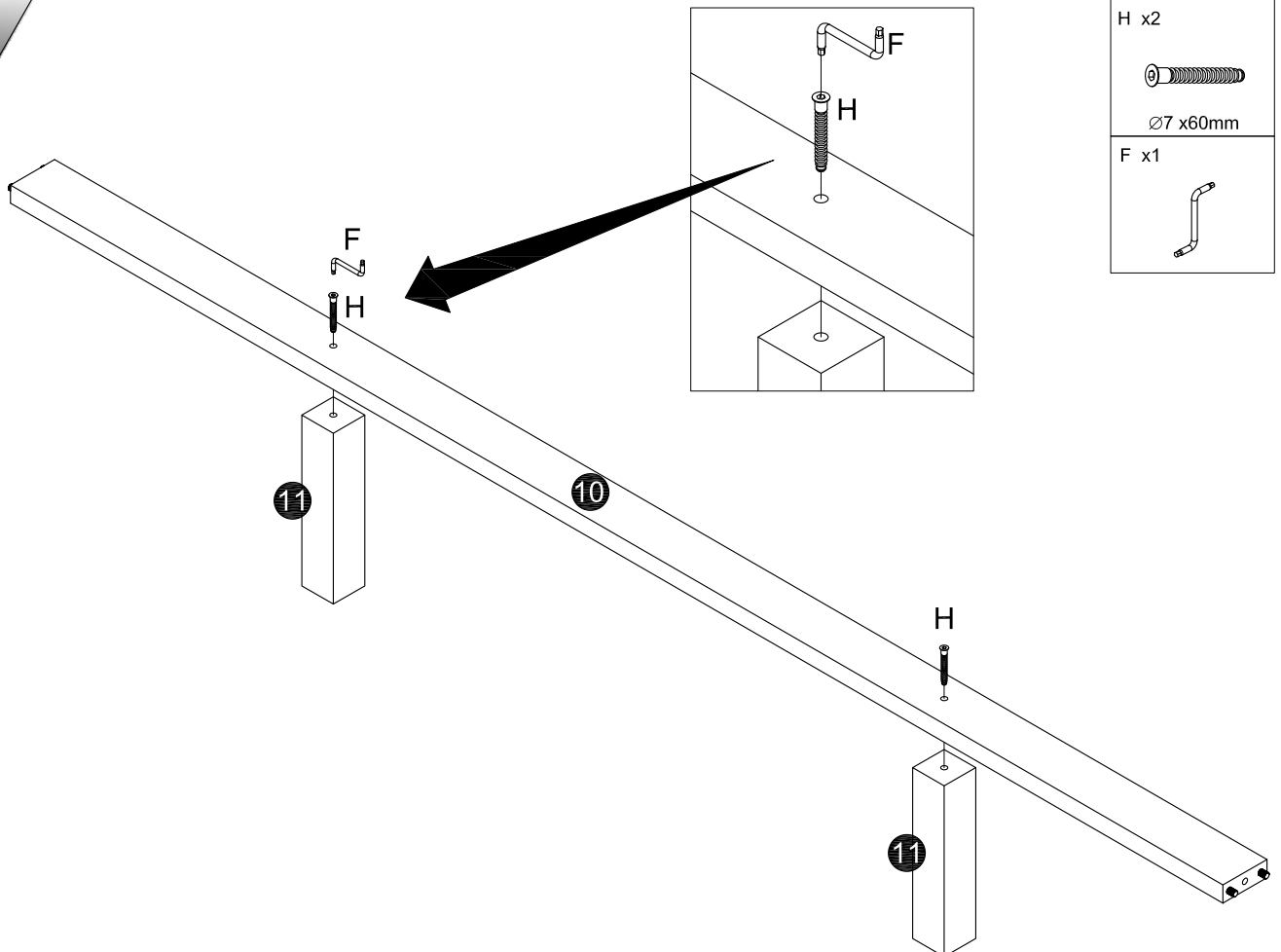
05

H x2

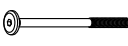





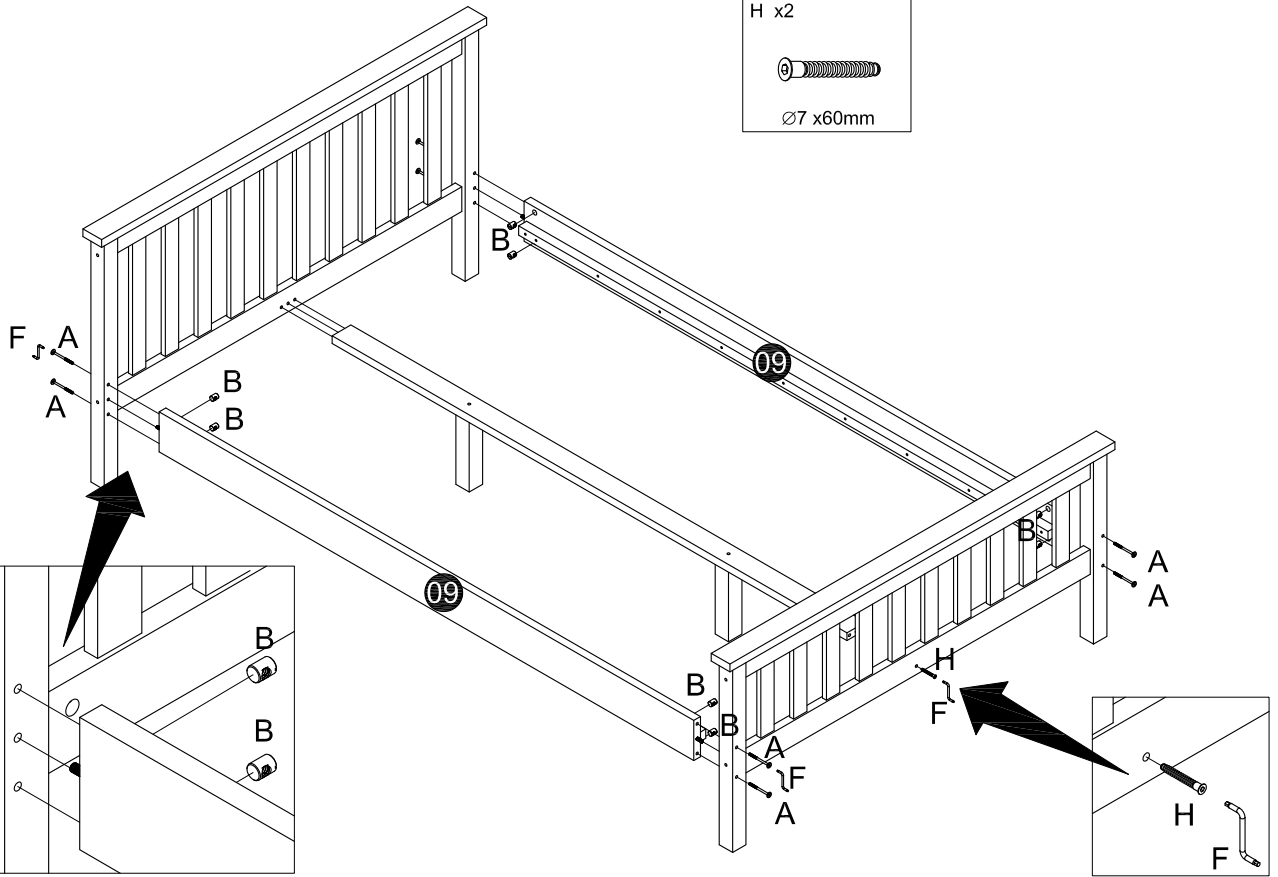
Ø7 x60mm

F x1




06

A x8 M6 x90mm 	B x8 	F x1 
H x2 Ø7 x60mm 		



07

G x30 Ø4 x30mm 
--

